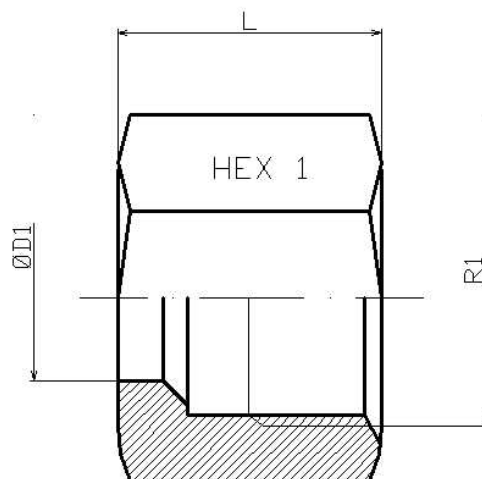


Racores DIN 2353

Tuercas y anillos

Tuercas Métricas DIN 3870

Acero Inoxidable AISI 316-L

1/1

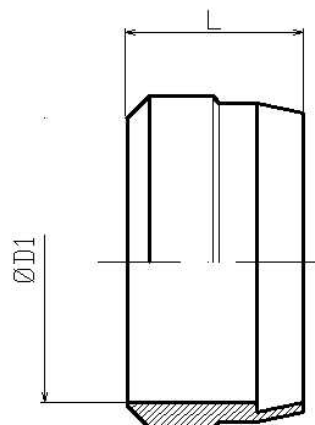
Artículo	ØD1	Serie	R1	Presión de trabajo (bar)	L	HEX 1
Z MLL 4	4	LL	M8X1	100	11	10
Z MLL 6	6	LL	M10X1	100	11,5	12
Z MLL 8	8	LL	M12X1	100	12	14
Z ML 6	6	L	M12X1.5	315	14,5	14
Z ML 8	8	L	M14X1.5	315	14,5	17
Z ML 10	10	L	M16X1.5	315	15,5	19
Z ML 12	12	L	M18X1.5	315	15,5	22
Z ML 15	15	L	M22X1.5	315	17	27
Z ML 18	18	L	M26X1.5	315	18	32
Z ML 22	22	L	M30X2	160	20	36
Z ML 28	28	L	M36X2	160	21	41
Z ML 35	35	L	M45X2	160	24	50
Z ML 42	42	L	M52X2	160	24	60
Z MS 6	6	S	M14X1.5	630	16,5	17
Z MS 8	8	S	M16X1.5	630	16,5	19
Z MS 10	10	S	M18X1.5	630	17,5	22
Z MS 12	12	S	M20X1.5	630	17,5	24
Z MS 14	14	S	M22X1.5	630	20,5	27
Z MS 16	16	S	M24X1.5	400	20,5	30
Z MS 20	20	S	M30X2	400	24	36
Z MS 25	25	S	M36X2	400	27	46
Z MS 30	30	S	M42X2	400	29	50
Z MS 38	38	S	M52X2	315	32,5	60

Racores DIN 2353

Tuercas y anillos

Anillos de corte DIN 3861**FLUIDAL**

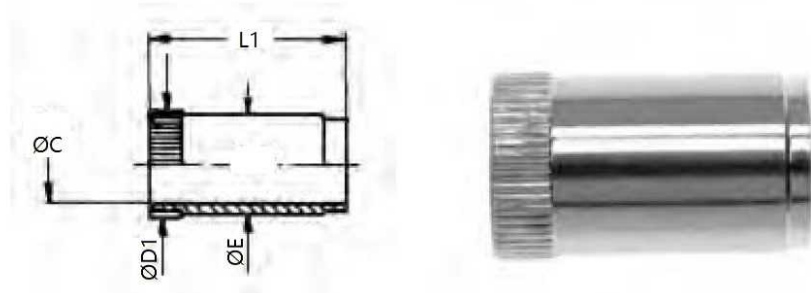
Acero Inoxidable AISI 316-L

1/1

Artículo	ØD1	Serie	Presión de trabajo (bar)	L
Z ACLL 4	4	LL	100	6
Z ACLL 6	6	LL	100	7
Z ACLL 8	8	LL	100	7
Z ACL 6	6	L/S	630	9
Z ACL 8	8	L/S	630	9
Z ACL 10	10	L/S	630	10
Z ACL 12	12	L/S	630	10
Z ACL 15	15	L	315	10
Z ACL 18	18	L	315	10
Z ACL 22	22	L	160	10,5
Z ACL 28	28	L	160	10,5
Z ACL 35	35	L	160	13
Z ACL 42	42	L	160	13,5
Z ACS 14	14	S	630	10
Z ACS 16	16	S	400	10,5
Z ACS 20	20	S	400	12,5
Z ACS 25	25	S	400	12,5
Z ACS 30	30	S	400	13
Z ACS 38	38	S	315	13,5

Racores DIN 2353

Tuercas y anillos

Anillo de refuerzo**FLUIDAL****1/1**

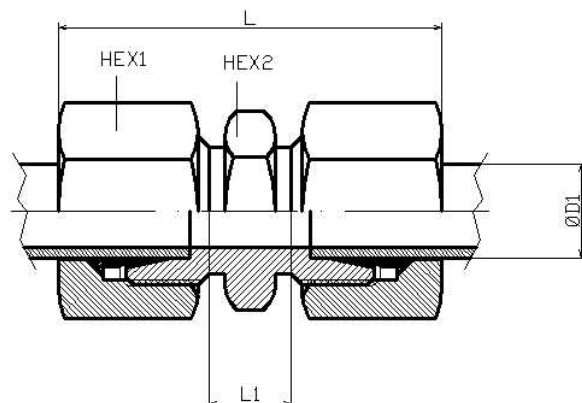
Artículo	ØD1	L1	ØC	ØE
Z VHS 4	4	15.5	2.5	3.8
Z VHS 5	5	15.5	3.5	4.8
Z VHS 6	6	15.5	4.5	5.8
Z VHS 7	7	17	5.5	6.8
Z VHS 8	8	17	6.5	7.5
Z VHS 9	9	17	7.5	8.8
Z VHS 10	10	17	8.5	9.8
Z VHS 11	11	18	9.5	10.8
Z VHS 12	12	18	10	11.8
Z VHS 13	13	18	11.5	12.8
Z VHS 14	14	18	12	13.8
Z VHS 15	15	18	13	14.8
Z VHS 16	16	22	14	15.8
Z VHS 17	17	22	15	16.8
Z VHS 18	18	22	16	17.8
Z VHS 19	19	18	17	18.8
Z VHS 20	20	18	18	19.8
Z VHS 22	22	24	20	21.8
Z VHS 24	24	18	22	23.8
Z VHS 25	25	18	23	24.8
Z VHS 31	31	18	28.5	30.8
Z VHS 33	33	23	30	32.8
Z VHS 38	38	24	35.5	37.8

Racores DIN 2353

Uniones tubo-tubo

Racor unión recta tubo - tubo**FLUIDAL**

Acero Inoxidable AISI 316-L

1/1

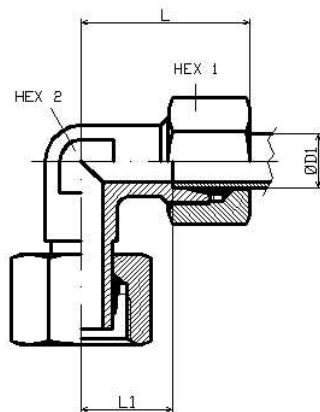
Artículo	ØD1	Serie	Presión de trabajo (bar)	L	L1	HEX 1	HEX 2
Z DLL 4	4	LL	100	31	12.0	10	9
Z DLL 6	6	LL	100	32	9.0	12	11
Z DLL 8	8	LL	100	35	12.0	14	12
Z DL 6	6	L	315	39.0	10.0	14	12
Z DL 8	8	L	315	40.0	11.0	17	14
Z DL 10	10	L	315	42.0	13.0	19	17
Z DL 12	12	L	315	43.0	14.0	22	19
Z DL 15	15	L	315	46.0	16.0	27	24
Z DL 18	18	L	315	48.0	16.0	32	27
Z DL 22	22	L	160	52.0	20.0	36	32
Z DL 28	28	L	160	54.0	21.0	41	41
Z DL 35	35	L	160	63.0	20.0	50	46
Z DL 42	42	L	160	66.0	21.0	60	55
Z DS 6	6	S	630	45.0	16.0	17	14
Z DS 8	8	S	630	47.0	18.0	19	17
Z DS 10	10	S	630	49.0	17.0	22	19
Z DS 12	12	S	630	51.0	19.0	24	22
Z DS 14	14	S	630	57.0	22.0	27	24
Z DS 16	16	S	400	57.0	21.0	30	27
Z DS 20	20	S	400	66.0	23.0	36	32
Z DS 25	25	S	400	74.0	26.0	46	41
Z DS 30	30	S	400	80.0	27.0	50	46
Z DS 38	38	S	315	90.0	29.0	60	55

Racores DIN 2353

Uniones tubo-tubo

Racor unión en codo tubo - tubo**FLUIDAL**

Acero Inoxidable AISI 316-L

1/1

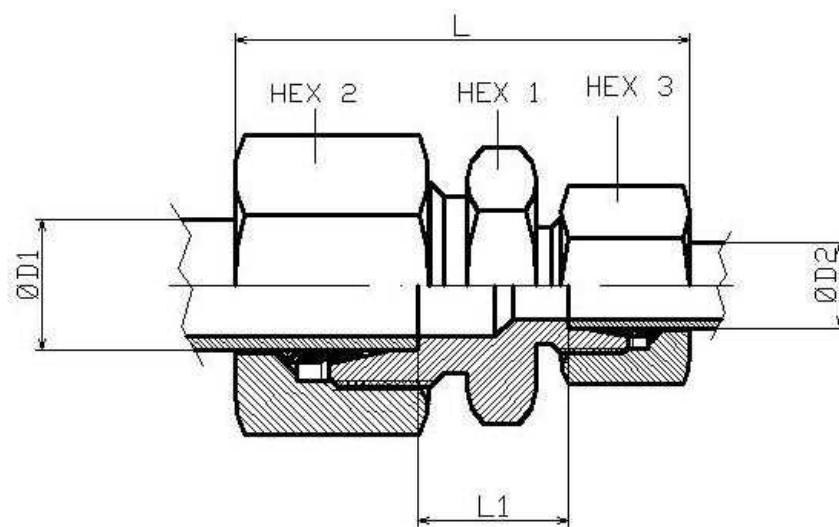
Artículo	ØD1	Serie	Presión de trabajo (bar)	L	L1	HEX 1	HEX 2
Z ELL 4	4	LL	100	21.0	11	10	9
Z ELL 6	6	LL	100	21.0	9,5	12	9
Z ELL 8	8	LL	100	23.0	11,5	14	12
Z EL 6	6	L	315	27.0	12	14	12
Z EL 8	8	L	315	29.0	14	17	12
Z EL 10	10	L	315	30.0	15	19	14
Z EL 12	12	L	315	32.0	17	22	17
Z EL 15	15	L	315	36.0	21	27	19
Z EL 18	18	L	315	40.0	23,5	32	24
Z EL 22	22	L	160	44.0	27,5	36	27
Z EL 28	28	L	160	47.0	30,5	41	36
Z EL 35	35	L	160	56.0	34,5	50	41
Z EL 42	42	L	160	63.0	40	60	50
Z ES 6	6	S	630	31.0	16	17	12
Z ES 8	8	S	630	31.0	17	19	14
Z ES 10	10	S	630	34.0	17,5	22	17
Z ES 12	12	S	630	38.0	21,5	24	17
Z ES 14	14	S	630	40.0	22	27	19
Z ES 16	16	S	400	43.0	24,5	30	24
Z ES 20	20	S	400	48.0	26,5	36	27
Z ES 25	25	S	400	54.0	30	46	36
Z ES 30	30	S	400	62.0	35,5	50	41
Z ES 38	38	S	315	72.0	41	60	50

Racores DIN 2353

Uniones tubo-tubo

Racor unión recta en reducción tubo - tubo**FLUIDAL**

Acero Inoxidable AISI 316-L

1/2

Artículo	ØD1	ØD2	Serie	Presión de trabajo (bar)	L	L1	HEX 1	HEX 2	HEX 3
Z DL 8-6	8	6	L	315	41	11	14	17	14
Z DL 10-6	10	6	L	315	42	12	17	19	14
Z DL 10-8	10	8	L	315	42	12	17	19	17
Z DL 12-6	12	6	L	315					
Z DL 12-8	12	8	L	315	43	13	19	22	17
Z DL 12-10	12	10	L	315	44	14	19	22	19
Z DL 15-6	15	6	L	315					
Z DL 15-8	15	8	L	315					
Z DL 15-10	15	10	L	315	45	15	24	27	19
Z DL 15-12	15	12	L	315	45	15	24	27	22
Z DL 18-8	18	8	L	315					
Z DL 18-10	18	10	L	315					
Z DL 18-12	18	12	L	315	47	15,5	27	32	22
Z DL 18-15	18	15	L	315	48	16,5	27	32	27
Z DL 22-12	22	12	L	160					
Z DL 22-15	22	15	L	160	50	18,5	32	36	27
Z DL 22-18	22	18	L	160	51	18	32	36	32
Z DL 28-22	28	22	L	160	54	21	41	41	36
Z DL 35-22	35	22	L	160					
Z DL 35-28	35	28	L	160	59	21	46	50	41
Z DL 42-28	42	28	L	160					
Z DL 42-35	42	35	L	160	66	21,5	55	60	50
Z DS 8-6	8	6	S	630	48	18	17	19	17
Z DS 10-6	10	6	S	630	49	17,5	19	22	17
Z DS 10-8	10	8	S	630	49	17,5	19	22	19
Z DS 12-6	12	6	S	630	51	19,5	22	24	17
Z DS 12-8	12	8	S	630	51	19,5	22	24	19

Racores DIN 2353

Uniones tubo-tubo

Racor unión recta en reducción tubo - tubo

Acero Inoxidable AISI 316-L

2/2

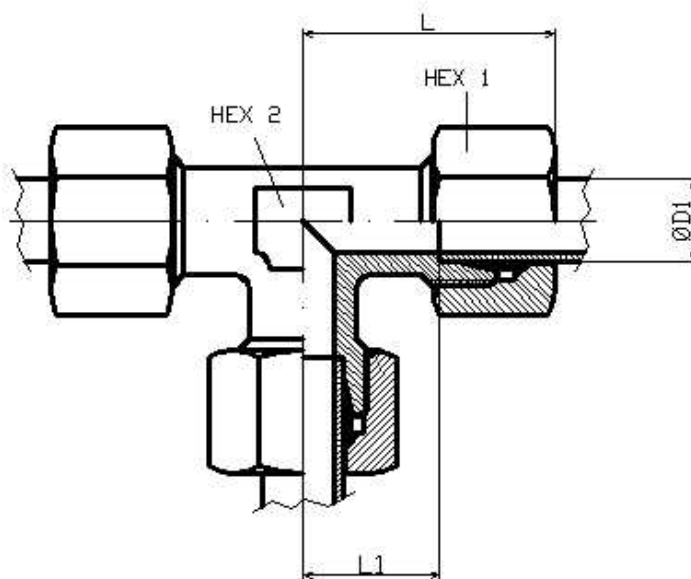
Artículo	ØD1	ØD2	Serie	Presión de trabajo (bar)	L	L1	HEX 1	HEX 2	HEX 3
Z DS 12-10	12	10	S	630	52	19	22	24	22
Z DS 14-10	14	10	S	630	55	20,5	24	27	22
Z DS 16-10	16	10	S	400					
Z DS 16-12	16	12	S	400	55	20	27	30	24
Z DS 16-14	16	14	S	400	58	21,5	27	30	27
Z DS 20-12	20	12	S	400	60	22	32	36	24
Z DS 20-14	20	14	S	400					
Z DS 20-16	20	16	S	400	63	23	32	36	30
Z DS 25-16	25	16	S	400	68	25,5	41	46	30
Z DS 25-20	25	20	S	400	71	25,5	41	46	36
Z DS 30-20	30	20	S	400	74	26	46	50	36
Z DS 30-25	30	25	S	400	77	26,5	46	50	46
Z DS 38-25	38	25	S	315					
Z DS 38-30	38	30	S	315	87	29,5	55	60	50

Racores DIN 2353

Uniones tubo-tubo

Racor unión en T tubo - tubo**FLUIDAL**

Acero Inoxidable AISI 316-L

1/1

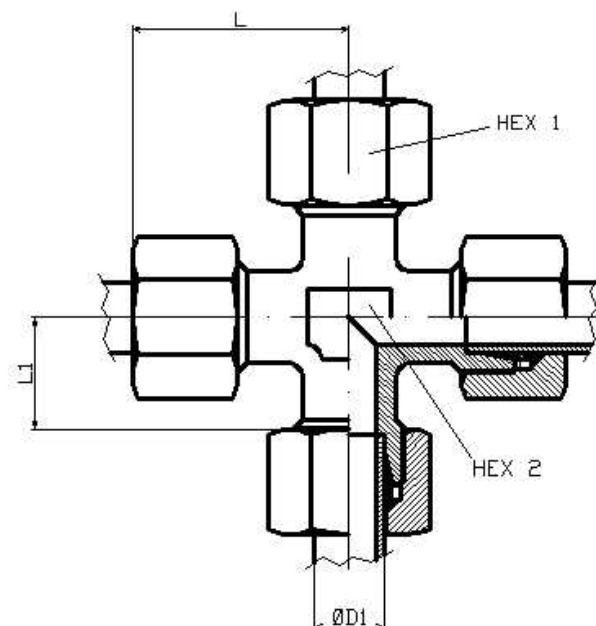
Artículo	ØD1	Serie	Presión de trabajo (bar)	L	L1	HEX 1	HEX 2
Z TLL 4	4	LL	100	21.0	11.0	10	9
Z TLL 6	6	LL	100	21.0	9.5	12	9
Z TLL 8	8	LL	100	23.0	11.5	14	12
Z TL 6	6	L	315	27.0	12.0	14	12
Z TL 8	8	L	315	29.0	14.0	17	12
Z TL 10	10	L	315	30.0	15.0	19	14
Z TL 12	12	L	315	32.0	17.0	22	17
Z TL 15	15	L	315	36.0	21.0	27	19
Z TL 18	18	L	315	40.0	23.5	32	24
Z TL 22	22	L	160	44.0	27.5	36	27
Z TL 28	28	L	160	47.0	30.5	41	36
Z TL 35	35	L	160	56.0	34.5	50	41
Z TL 42	42	L	160	63.0	40.0	60	50
Z TS 6	6	S	630	31.0	16.0	17	12
Z TS 8	8	S	630	32.0	17.0	19	14
Z TS 10	10	S	630	34.0	17.5	22	17
Z TS 12	12	S	630	38.0	21.5	24	17
Z TS 14	14	S	630	40.0	22.0	27	19
Z TS 16	16	S	400	43.0	24.5	30	24
Z TS 20	20	S	400	48.0	26.5	36	27
Z TS 25	25	S	400	54.0	30.0	46	36
Z TS 30	30	S	400	62.0	35.5	50	41
Z TS 38	38	S	315	72.0	41	60	50

Racores DIN 2353

Uniones tubo-tubo

Racor unión en cruz tubo - tubo**FLUIDAL**

Acero Inoxidable AISI 316-L

1/1

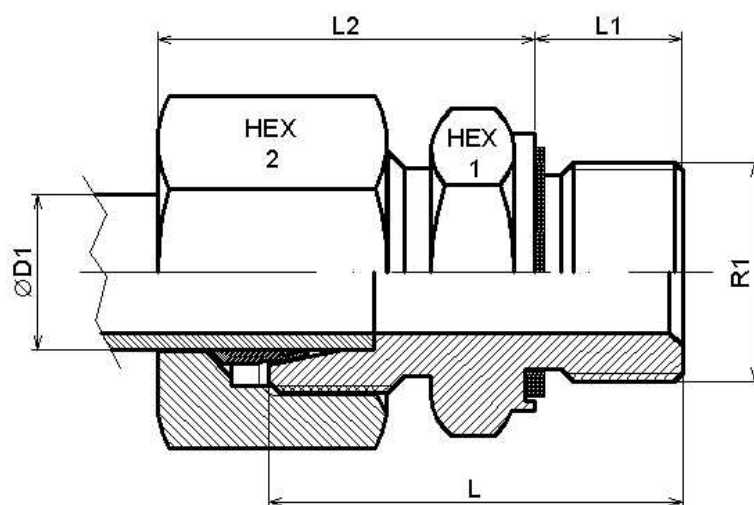
Artículo	ØD1	Serie	Presión de trabajo (bar)	L	L1	HEX 1	HEX 2
Z KVL 6	6	L	315	27.0	12.0	14	12
Z KVL 8	8	L	315	29.0	14.0	17	12
Z KVL 10	10	L	315	30.0	15.0	19	14
Z KVL 12	12	L	315	32.0	17.0	22	17
Z KVL 15	15	L	315	36.0	21.0	27	19
Z KVL 18	18	L	315	40.0	23.5	32	24
Z KVL 22	22	L	160	44.0	27.5	36	27
Z KVL 28	28	L	160	47.0	30.5	41	36
Z KVL 35	35	L	160	56.0	34.5	50	41
Z KVL 42	42	L	160	63.0	40.0	60	50
Z KVS 6	6	S	630	31.0	16.0	17	12
Z KVS 8	8	S	630	32.0	17.0	19	14
Z KVS 10	10	S	630	34.0	17.5	22	17
Z KVS 12	12	S	630	38.0	21.5	24	17
Z KVS 14	14	S	630	40.0	22.0	27	19
Z KVS 16	16	S	400	43.0	24.5	30	24
Z KVS 20	20	S	400	48.0	26.5	36	27
Z KVS 25	25	S	400	54.0	30.0	46	36
Z KVS 30	30	S	400	62.0	35.5	50	41
Z KVS 38	38	S	315	72.0	41.0	60	50

Racores DIN 2353

Uniones rectas tubo-rosca

Racor recto rosca cilíndrica BSP con junta**FLUIDAL**

Acero Inoxidable AISI 316-L

1/2

Artículo	ØD1	Serie	R1	Presión de trabajo (bar)	L	L1	L2	HEX 1	HEX 2
Z AL 6 R 1/8WD	6	L	1/8"BSP	315	23,5	8	23,5	14	14
Z AL 6 R 1/4WD	6	L	1/4"BSP	315	29	12	25	19	14
Z AL 6 R 3/8WD	6	L	3/8"BSP	315					
Z AL 8 R 1/8WD	8	L	1/8"BSP	315	24,5	8	24,5	14	17
Z AL 8 R 1/4WD	8	L	1/4"BSP	315	29	12	25	19	17
Z AL 8 R 3/8WD	8	L	3/8"BSP	315	30,5	12	26,5	22	17
Z AL 8 R 1/2WD	8	L	1/2"BSP	315					
Z AL 10 R 1/8WD	10	L	1/8"BSP	315					
Z AL 10 R 1/4WD	10	L	1/4"BSP	315	30	12	26	19	19
Z AL 10 R 3/8WD	10	L	3/8"BSP	315	31,5	12	27,5	22	19
Z AL 10 R 1/2WD	10	L	1/2"BSP	315	34	14	28	27	19
Z AL 12 R 1/4WD	12	L	1/4"BSP	315	31	12	27	19	22
Z AL 12 R 3/8WD	12	L	3/8"BSP	315	31,5	12	27,5	22	22
Z AL 12 R 1/2WD	12	L	1/2"BSP	315	34	14	28	27	22
Z AL 15 R 3/8WD	15	L	3/8"BSP	315	32,5	12	28,5	24	27
Z AL 15 R 1/2WD	15	L	1/2"BSP	315	35	14	29	27	27
Z AL 15 R 3/4WD	15	L	3/4"BSP	315					
Z AL 18 R 1/2WD	18	L	1/2"BSP	315	36	14	31	27	32
Z AL 18 R 3/4WD	18	L	3/4"BSP	315	38	16	31	32	32
Z AL 22 R 1/2WD	22	L	1/2"BSP	160					
Z AL 22 R 3/4WD	22	L	3/4"BSP	160	40	16	33	32	36
Z AL 22 R 1WD	22	L	1"BSP	160					
Z AL 28 R 3/4WD	28	L	3/4"BSP	160					
Z AL 28 R 1WD	28	L	1"BSP	160	43	18	34	41	41
Z AL 35 R 1WD	35	L	1"BSP	160					
Z AL 35 R 1 1/4WD	35	L	1"1/4BSP	160	48	20	39	50	50
Z AL 42 R 1 1/2WD	42	L	1"1/2BSP	160	52	22	42	55	60

Racores DIN 2353

Uniones rectas tubo-rosca

Racor recto rosca cilíndrica BSP con junta

Acero Inoxidable AISI 316-L

2/2

Artículo	ØD1	Serie	R1	Presión de trabajo (bar)	L	L1	L2	HEX 1	HEX 2
Z AS 6 R 1/4WD	6	S	1/4"BSP	630	32	12	28	19	17
Z AS 8 R 1/4WD	8	S	1/4"BSP	630	34	12	30	19	19
Z AS 8 R 3/8WD	8	S	3/8"BSP	630	34,5	12	30,5	22	19
Z AS 8 R 1/2WD	8	S	1/2"BSP	630					
Z AS 10 R 1/4WD	10	S	1/4"BSP	630	34	12	31	19	22
Z AS 10 R 3/8WD	10	S	3/8"BSP	630	34,5	12	31,5	22	22
Z AS 10 R 1/2WD	10	S	1/2"BSP	630	39	14	34	27	22
Z AS 12 R 1/4WD	12	S	1/4"BSP	630	36	12	33	22	24
Z AS 12 R 3/8WD	12	S	3/8"BSP	630	36,5	12	33,5	22	24
Z AS 12 R 1/2WD	12	S	1/2"BSP	630	39	14	34	27	24
Z AS 14 R 3/8WD	14	S	3/8"BSP	630					
Z AS 14 R 1/2WD	14	S	1/2"BSP	630	41	14	37	27	27
Z AS 16 R 3/8WD	16	S	3/8"BSP	400	38,5	12	36,5	27	30
Z AS 16 R 1/2WD	16	S	1/2"BSP	400	41	14	37	27	30
Z AS 16 R 3/4WD	16	S	3/4"BSP	400	45	16	39	32	30
Z AS 20 R 1/2WD	20	S	1/2"BSP	400					
Z AS 20 R 3/4WD	20	S	3/4"BSP	400	47	16	42	32	36
Z AS 25 R 3/4WD	25	S	3/4" BSP	400	51	16	47	41	46
Z AS 25 R 1WD	25	S	1"BSP	400	53	18	47	41	46
Z AS 25 R 1 1/4WD	25	S	1"1/4BSP	400					
Z AS 30 R 1WD	30	S	1"BSP	400					
Z AS 30 R 1 1/4WD	30	S	1"1/4 BSP	400	57	20	50	50	50
Z AS 30 R 1 1/2WD	30	S	1"1/2BSP	400					
Z AS 38 R 1 1/4WD	38	S	1"1/4BSP	315					
Z AS 38 R 1 1/2WD	38	S	1"1/2BSP	315	64	22	57	55	60

Racores DIN 2353

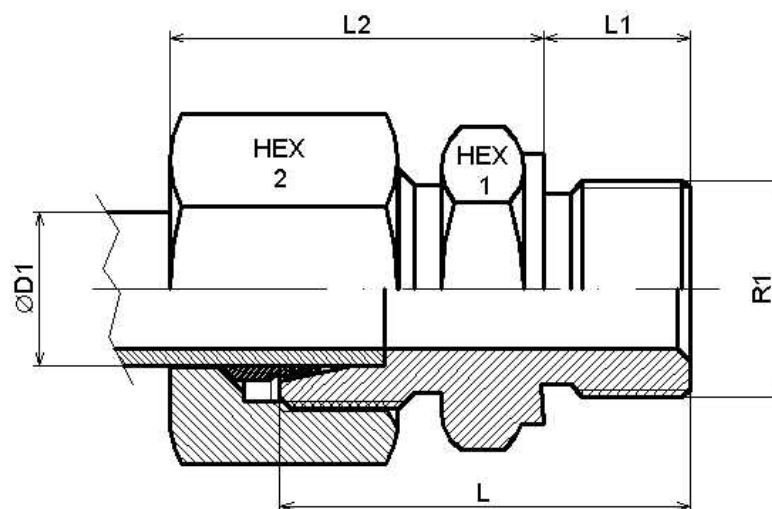
Uniones rectas tubo-rosca

Racor recto rosca cilíndrica BSP



Acero Inoxidable AISI 316-L

1/2



Artículo	ØD1	Serie	R1	Presión de trabajo (bar)	L	L1	L2	HEX 1	HEX 2
Z AL 6 R 1/8	6	L	1/8" BSP	315	23,5	8	23,5	14	14
Z AL 6 R 1/4	6	L	1/4" BSP	315	29	12	25	19	14
Z AL 6 R 3/8	6	L	3/8" BSP	315	30,5	12	26,5	22	14
Z AL 8 R 1/8	8	L	1/8" BSP	315	24,5	8	24	14	17
Z AL 8 R 1/4	8	L	1/4" BSP	315	29	12	25	19	17
Z AL 8 R 3/8	8	L	3/8" BSP	315	30,5	12	26,5	22	17
Z AL 8 R 1/2	8	L	1/2" BSP	315	33	14	27	27	17
Z AL 10 R 1/8	10	L	1/8" BSP	315	25,5	8	25,5	17	19
Z AL 10 R 1/4	10	L	1/4" BSP	315	30	12	26	19	19
Z AL 10 R 3/8	10	L	3/8" BSP	315	31,5	12	27,5	22	19
Z AL 10 R 1/2	10	L	1/2" BSP	315	34	14	28	27	19
Z AL 12 R 1/4	12	L	1/4" BSP	315	31	12	27	19	22
Z AL 12 R 3/8	12	L	3/8" BSP	315	31,5	12	27,5	22	22
Z AL 12 R 1/2	12	L	1/2" BSP	315	34	14	28	27	22
Z AL 15 R 3/8	15	L	3/8" BSP	315	32,5	12	29	24	27
Z AL 15 R 1/2	15	L	1/2" BSP	315	35	14	29	27	27
Z AL 15 R 3/4	15	L	3/4" BSP	315	38	16	30	32	27
Z AL 18 R 1/2	18	L	1/2" BSP	315	36	14	31	27	32
Z AL 18 R 3/4	18	L	3/4" BSP	315	38	16	31	32	32
Z AL 22 R 3/8	22	L	3/8" BSP	160					
Z AL 22 R 1/2	22	L	1/2" BSP	630	38	14	33	32	36
Z AL 22 R 3/4	22	L	3/4" BSP	630	40	16	33	32	36
Z AL 22 R 1	22	L	1" BSP	630	43	18	34	41	36
Z AL 28 R 3/4	28	L	3/4" BSP	630	41	16	34	41	41

Racores DIN 2353

Uniones rectas tubo-rosca

Racor recto rosca cilíndrica BSP

Acero Inoxidable AISI 316-L

2/2

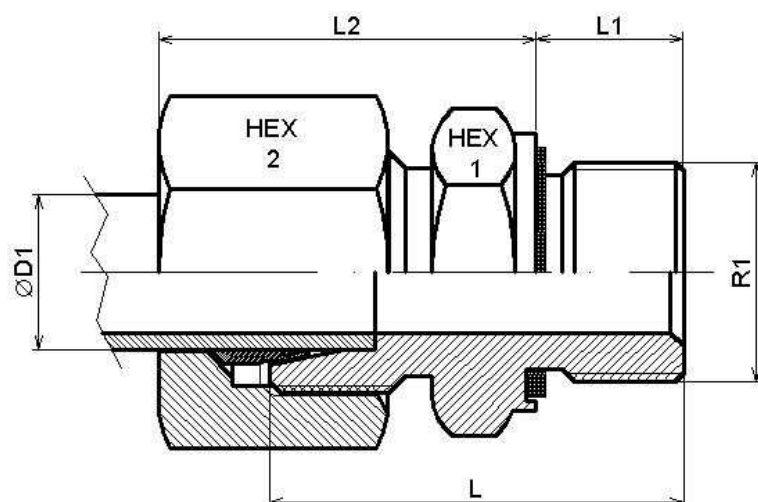
Artículo	ØD1	Serie	R1	Presión de trabajo (bar)	L	L1	L2	HEX 1	HEX 2
Z AL 28 R 1	28	L	1" BSP	630	43	18	34	41	41
Z AL 35 R 1 1/4	35	L	1"1/4 BSP	630	48	20	39	50	50
Z AL 35 R 1 1/2	35	L	1"1/2 BSP	630					
Z AL 42 R 1 1/2	42	L	1"1/2 BSP	630	52	22	42	55	60
Z AS 6 R 1/4	6	S	1/4" BSP	630	32	12	28	19	17
Z AS 6 R 3/8	6	S	3/8" BSP	630					
Z AS 8 R 1/4	8	S	1/4" BSP	630	34	12	30	19	19
Z AS 8 R 3/8	8	S	3/8" BSP	630	34,5	12	30,5	22	19
Z AS 8 R 1/2	8	S	1/2" BSP	630					
Z AS 10 R 1/4	10	S	1/4" BSP	630	34	12	31	19	22
Z AS 10 R 3/8	10	S	3/8" BSP	630	34,5	12	31	22	22
Z AS 10 R 1/2	10	S	1/2" BSP	630	39	14	34	27	22
Z AS 12 R 1/4	12	S	1/4" BSP	630	36	12	33	22	24
Z AS 12 R 3/8	12	S	3/8" BSP	630	36,5	12	33,5	22	24
Z AS 12 R 1/2	12	S	1/2" BSP	630	39	14	34	27	24
Z AS 14 R 3/8	14	S	3/8" BSP	630	38,5	12	36,5	24	27
Z AS 14 R 1/2	14	S	1/2" BSP	630	41	14	37	27	27
Z AS 16 R 3/8	16	S	3/8" BSP	400	38,5	12	36,5	27	30
Z AS 16 R 1/2	16	S	1/2" BSP	400	41	14	37	27	30
Z AS 16 R 3/4	16	S	3/4" BSP	400	45	16	39	32	30
Z AS 20 R 1/2	20	S	1/2" BSP	400	45	14	42	32	36
Z AS 20 R 3/4	20	S	3/4" BSP	400	47	16	42	32	36
Z AS 20 R 1	20	S	1" BSP	400					
Z AS 25 R 3/4	25	S	3/4" BSP	400	51	16	47	41	46
Z AS 25 R 1	25	S	1" BSP	400	53	18	47	41	46
Z AS 30 R 1	30	S	1" BSP	400	55	18	50	46	50
Z AS 30 R 1 1/2	30	S	1"1/2 BSP	400					
Z AS 38 R 1 1/4	38	S	1"1/4 BSP	315	62	20	57	55	60
Z AS 38 R 1 1/2	38	S	1"1/2 BSP	315	64	22	57	55	60

Racores DIN 2353

Uniones rectas tubo-rosca

Racor recto rosca cilíndrica Métrica con junta**FLUIDAL**

Acero Inoxidable AISI 316-L

1/1

Artículo	ØD1	Serie	R1	Presión de trabajo (bar)	L	L1	L2	HEX 1	HEX 2
Z AL 6 M 10X1 WD	6	L	M10x1	315	23,5	8	23,5	14	14
Z AL 8 M 12X1.5 WD	8	L	M12x1.5	315	29	12	25	17	17
Z AL 10 M 12X1.5 WD	10	L	M14x1.5	315					
Z AL 10 M 14X1.5 WD	10	L	M14x1.5	315	30	12	26	19	19
Z AL 10 M 16X1.5 WD	10	L	M16x1.5	315	31,5	12	27,5	22	19
Z AL 12 M 16X1.5 WD	12	L	M16x1.5	315	31,5	12	27,5	22	22
Z AL 12 M 18X1.5 WD	12	L	M18x1.5	315	31,5	12	27,5	24	22
Z AL 12 M 22X1.5 WD	12	L	M22x1.5	315	35	14	29	27	22
Z AL 15 M 18X1.5 WD	15	L	M18x1.5	315	32,5	12	28,5	24	27
Z AL 18 M 22X1.5 WD	18	L	M22x1.5	315	36	14	31	27	32
Z AL 22 M 26X1.5 WD	22	L	M26x1.5	160	40	16	33	32	36
Z AL 28 M 33X2 WD	28	L	M33x2	160	43	18	34	41	41
Z AL 35 M 42X2 WD	35	L	M42x2	160	48	20	39	50	50
Z AL 42 M 48X2 WD	42	L	M48x2	160	52	22	42	55	60
Z AS 6 M 12X1.5 WD	6	S	M12x1.5	630	32	12	28	17	17
Z AS 6 M 14X1.5 WD	6	S	M14x1.5	630					
Z AS 8 M 14X1.5 WD	8	S	M14x1.5	630	34	12	30	19	19
Z AS 10 M 16X1.5 WD	10	S	M16x1.5	630	34,5	12	31,5	22	22
Z AS 12 M 14X1.5 WD	12	S	M14x1.5	630					
Z AS 12 M 18X1.5 WD	12	S	M18x1.5	630	36,5	12	33,5	24	24
Z AS 14 M 20X1.5 WD	14	S	M20x1.5	630	41	14	37	27	27
Z AS 16 M 22X1.5 WD	16	S	M22x1.5	400	41	14	37	27	30
Z AS 20 M 27X2 WD	20	S	M27x2	400	47	16	42	32	36
Z AS 25 M 33X2 WD	25	S	M33x2	400	53	18	47	41	46
Z AS 30 M 42X2 WD	30	S	M42x2	400	57	20	50	50	50
Z AS 38 M 48X2 WD	38	S	M48x2	315	64	22	57	55	60

Racores DIN 2353

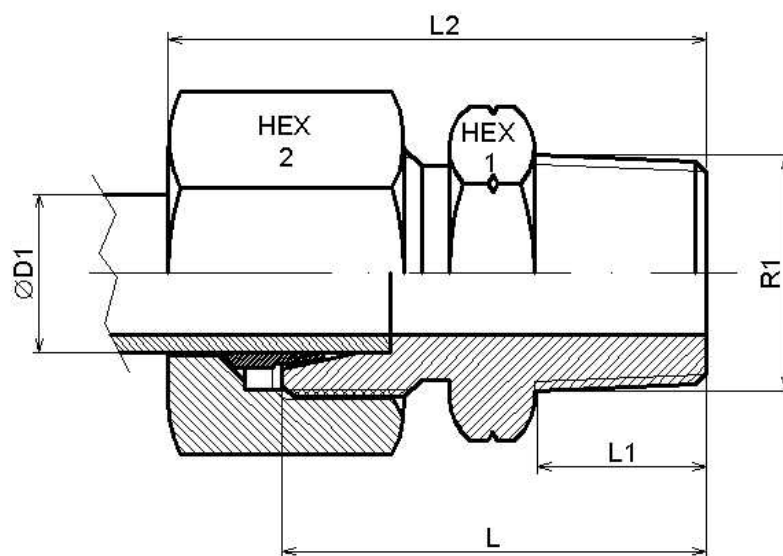
Uniones rectas tubo-rosca

Racor recto rosca cónica NPT



Acero Inoxidable AISI 316-L

1/2



Artículo	ØD1	Serie	R1	Presión de trabajo (bar)	L	L1	L2	HEX 1	HEX 2
Z AKL 6 1/8 NPT	6	L	1/8"NPT	315	22	16,5	28	11	12
Z AKL 6 1/4 NPT	6	L	1/4"NPT	315	24	17	31,5	12	14
Z AKL 6 3/8 NPT	6	L	3/8"NPT	315	30	23	37,5	17	14
Z AKL 8 1/8 NPT	8	L	1/8"NPT	315					
Z AKL 8 1/4 NPT	8	L	1/4"NPT	315	30	23	38	17	17
Z AKL 8 3/8 NPT	8	L	3/8"NPT	315					
Z AKL 8 1/2 NPT	8	L	1/2"NPT	315					
Z AKL 10 1/4 NPT	10	L	1/4"NPT	315	31	24	39	17	19
Z AKL 10 3/8 NPT	10	L	3/8"NPT	315	32	25	40	19	19
Z AKL 10 1/2 NPT	10	L	1/2"NPT	315					
Z AKL 12 1/4 NPT	12	L	1/4"NPT	315	32	25	40	19	22
Z AKL 12 3/8 NPT	12	L	3/8"NPT	315	32	25	40	19	22
Z AKL 12 1/2 NPT	12	L	1/2"NPT	315	37	30	45	22	22
Z AKL 15 3/8 NPT	15	L	3/8"NPT	315					
Z AKL 15 1/2 NPT	15	L	1/2"NPT	315	38	31	46	24	27
Z AKL 18 1/2 NPT	18	L	1/2"NPT	315	39	31,5	48	27	32
Z AKL 18 3/4 NPT	18	L	3/4"NPT	315					
Z AKL 22 3/4 NPT	22	L	3/4"NPT	160	41	33,5	50	32	36
Z AKL 28 1 NPT	28	L	1"NPT	160	47	39,5	56	41	41
Z AKL 35 1 1/4 NPT	35	L	1"1/4NPT	160	51	40,5	62	46	50
Z AKL 42 1 1/2 NPT	42	L	1"1/2NPT	160	53	42	65	55	60
Z AKS 6 1/8 NPT	6	S	1/8"NPT	630					
Z AKS 6 1/4 NPT	6	S	1/4"NPT	630	35	28	43	17	17
Z AKS 6 3/8 NPT	6	S	3/8"NPT	630					
Z AKS 8 1/4 NPT	8	S	1/4"NPT	630	35	28	43	17	19
Z AKS 8 3/8 NPT	8	S	3/8"NPT	630					
Z AKS 8 1/2 NPT	8	S	1/2"NPT	630					

Racores DIN 2353

Uniones rectas tubo-rosca

Racor recto rosca cónica NPT

Acero Inoxidable AISI 316-L

2/2

Artículo	ØD1	Serie	R1	Presión de trabajo (bar)	L	L1	L2	HEX 1	HEX 2
Z AKS 10 1/4 NPT	10	S	1/4"NPT	630	35	27,5	43,5	19	22
Z AKS 10 3/8 NPT	10	S	3/8"NPT	630	35	27,5	43,5	19	22
Z AKS 10 1/2 NPT	10	S	1/2"NPT	630					
Z AKS 12 1/4 NPT	12	S	1/4"NPT	630					
Z AKS 12 3/8 NPT	12	S	3/8"NPT	630	37	29,5	45,5	22	24
Z AKS 12 1/2 NPT	12	S	1/2"NPT	630	42	34,5	50,5	22	24
Z AKS 14 1/2 NPT	14	S	1/2"NPT	630	44	36	54	24	27
Z AKS 16 1/2 NPT	16	S	1/2"NPT	400	44	35,5	54	27	30
Z AKS 16 3/4 NPT	16	S	3/4"NPT	400					
Z AKS 20 1/2 NPT	20	S	1/2"NPT	400					
Z AKS 20 3/4 NPT	20	S	3/4"NPT	400	48	37,5	59	32	36
Z AKS 20 1 NPT	20	S	1"NPT	400					
Z AKS 25 3/4 NPT	25	S	3/4"NPT	400					
Z AKS 25 1 NPT	25	S	1"NPT	400	57	45	69	41	46
Z AKS 30 1 NPT	30	S	1"NPT	400					
Z AKS 30 1 1/4 NPT	30	S	1"1/4NPT	400	60	46,5	73	46	50
Z AKS 38 1 1/2 NPT	38	S	1"1/2NPT	315	65	49	80	55	60

Racores DIN 2353

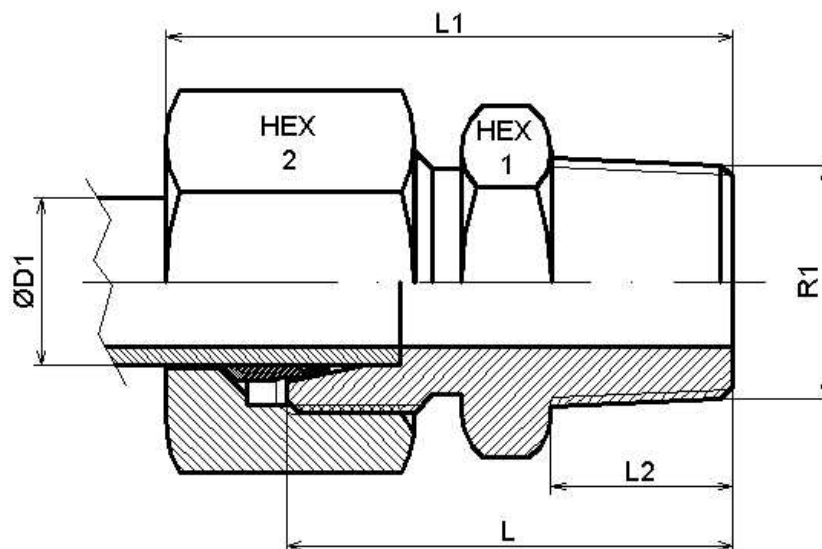
Uniones rectas tubo-rosca

Racor recto rosca cónica BSPT



Acero Inoxidable AISI 316-L

1/2



Artículo	ØD1	Serie	R1	Presión de trabajo (bar)	L1	L2	HEX 1	HEX 2
Z AKLL 6 R 1/8	6	LL	1/8" BSPT	100	26	8	11	12
Z AKLL 8 R 1/8	8	LL	1/8" BSPT	100	28	8	12	14
Z AKL 6 R 1/8	6	L	1/8" BSPT	315	32	10	12	14
Z AKL 6 R 1/4	6	L	1/4" BSPT	315	36	13	17	14
Z AKL 8 R 1/8	8	L	1/8" BSPT	315	31	8	14	17
Z AKL 8 R 1/4	8	L	1/4" BSPT	315	36	13	17	17
Z AKL 8 R 3/8	8	L	3/8" BSPT	315	34,5		19	17
Z AKL 10 R 1/4	10	L	1/4" BSPT	315	37	13	17	19
Z AKL 10 R 3/8	10	L	3/8" BSPT	315	38	13	19	19
Z AKL 10 R 1/2	10	L	1/2" BSPT	315	38,5		22	19
Z AKL 12 R 1/4	12	L	1/4" BSPT	315	38	13	19	22
Z AKL 12 R 3/8	12	L	3/8" BSPT	315	38	13	19	22
Z AKL 12 R 1/2	12	L	1/2" BSPT	315	41	16	24	22
Z AKL 15 R 3/8	15	L	3/8" BSPT	315	39	13	24	27
Z AKL 15 R 1/2	15	L	1/2" BSPT	315	42	16	24	27
Z AKL 18 R 1/2	18	L	1/2" BSPT	315	44	16	27	32
Z AKL 22 R 3/4	22	L	3/4" BSPT	160	48	18	32	36
Z AKL 28 R 1	28	L	1" BSPT	160	49		41	41
Z AKL 35 R 1 1/4	35	L	1"1/4 BSPT	160	51		41	50
Z AKL 42 R 1 1/4	42	L	1"1/4 BSPT	160	61	22	55	60
Z AKS 6 R 1/4	6	S	1/4" BSPT	630	41	13	17	17
Z AKS 8 R 1/4	8	S	1/4" BSPT	630	41	13	17	19
Z AKS 10 R 3/8	10	S	3/8" BSPT	630	42	13	19	22
Z AKS 14 R 1/2	14	S	1/2" BSPT	630				
Z AKS 16 R 1/2	16	S	1/2" BSPT	400	50	16	27	30
Z AKS 20 R 3/4	20	S	3/4" BSPT	400	57	18	32	36
Z AKS 25 R 1	25	S	1" BSPT	400				

Racores DIN 2353

Uniones rectas tubo-rosca

Racor recto rosca cónica BSPT



Acero Inoxidable AISI 316-L

2/2

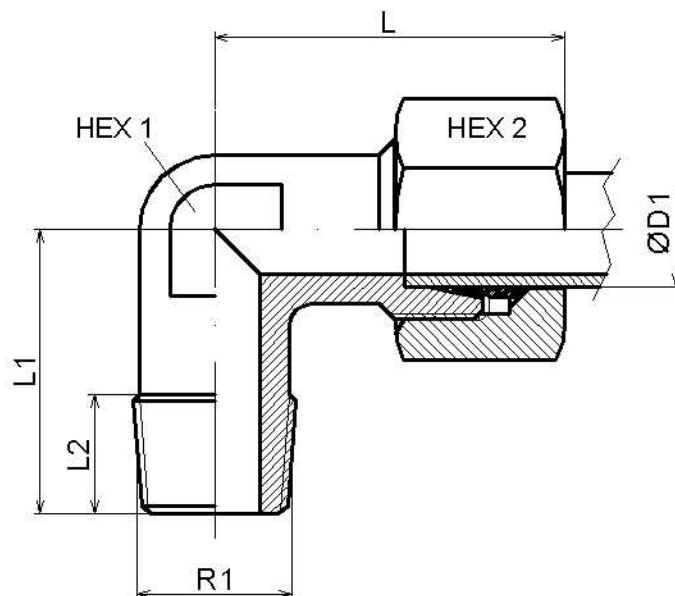
Artículo	ØD1	Serie	R1	Presión de trabajo (bar)	L1	L2	HEX 1	HEX 2
Z AKS 30 R 1 1/4	30	S	1"1/4 BSPT	250				

Racores DIN 2353

Codos tubo-rosca

Racor en codo rosca cónica BSPT**FLUIDAL**

Acero Inoxidable AISI 316-L

1/2

Artículo	ØD1	Serie	R1	Presión de trabajo (bar)	L	L1	L2	HEX 1	HEX 2
Z CKLL 6 R 1/8	6	LL	1/8" BSPT	100					
Z CKL 6 R 1/8	6	L	1/8" BSPT	315	27	20	10	12	14
Z CKL 6 R 1/4	6	L	1/4" BSPT	315	29	26	12	12	14
Z CKL 8 R 1/8	8	L	1/8" BSPT	315	29	26	8	12	17
Z CKL 8 R 1/4	8	L	1/4" BSPT	315	29	26	12	12	17
Z CKL 8 R 3/8	8	L	3/8" BSPT	315	34	28	12	17	17
Z CKL 8 R 1/2	8	L	1/2" BSPT	315					
Z CKL 10 R 1/8	10	L	1/8" BSPT	315					
Z CKL 10 R 1/4	10	L	1/4" BSPT	315	30	27	12	14	19
Z CKL 10 R 3/8	10	L	3/8" BSPT	315	32	28	12	17	19
Z CKL 10 R 1/2	10	L	1/2" BSPT	315					
Z CKL 12 R 1/4	12	L	1/4" BSPT	315	32	28	12	17	22
Z CKL 12 R 3/8	12	L	3/8" BSPT	315	32	28	12	17	22
Z CKL 12 R 1/2	12	L	1/2" BSPT	315	38	34	14	19	22
Z CKL 15 R 3/8	15	L	3/8" BSPT	315	36	34	12	19	27
Z CKL 15 R 1/2	15	L	1/2" BSPT	315	36	34	14	19	27
Z CKL 18 R 1/2	18	L	1/2" BSPT	315	40	36	14	24	32
Z CKL 22 R 3/4	22	L	3/4" BSPT	160	44	42	16	27	36
Z CKL 28 R 1	28	L	1" BSPT	160	47	48	18	36	41
Z CKL 35 R 1 1/4	35	L	1"1/4 BSPT	160	56	54	25	41	50
Z CKL 42 R 1 1/2	42	L	1"1/2 BSPT	160	63	61	22	50	60
Z CKS 6 R 1/4	6	S	1/4" BSPT	400	31	26	12	12	17
Z CKS 8 R 1/4	8	S	1/4" BSPT	400	32	27	12	14	19
Z CKS 8 R 3/8	8	S	3/8" BSPT	630					
Z CKS 8 R 1/2	8	S	1/2" BSPT	400					
Z CKS 10 R 1/4	10	S	1/4" BSPT	400					
Z CKS 10 R 3/8	10	S	3/8" BSPT	400	34	28	12	17	22

Racores DIN 2353

Codos tubo-rosca

Racor en codo rosca cónica BSPT

Acero Inoxidable AISI 316-L

2/2

Artículo	ØD1	Serie	R1	Presión de trabajo (bar)	L	L1	L2	HEX 1	HEX 2
Z CKS 10 R 1/2	10	S	1/2" BSPT	630					
Z CKS 12 R 3/8	12	S	3/8" BSPT	400	38	28	12	17	24
Z CKS 14 R 1/2	14	S	1/2" BSPT	400	40	32	14	19	27
Z CKS 16 R 1/2	16	S	1/2" BSPT	400	43	32	14	24	30
Z CKS 20 R 3/4	20	S	3/4" BSPT	400	48	42	16	27	36
Z CKS 25 R 1	25	S	1" BSPT	250	54	48	18	36	46
Z CKS 30 R 1 1/4	30	S	1"1/4 BSPT	160	62	54	25	41	50
Z CKS 38 R 1 1/2	38	S	1"1/2 BSPT	160	72	61	22	50	60

Racores DIN 2353

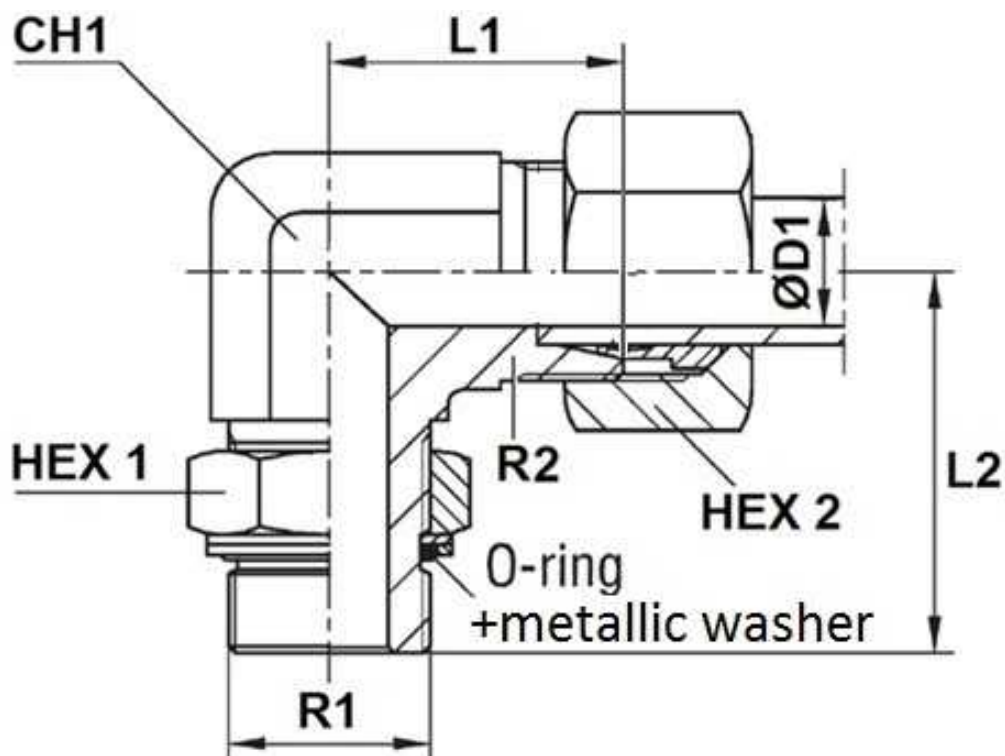
Codos tubo-rosca

Racor en codo orientable BSP



Acero Inoxidable AISI 316-L

1/1



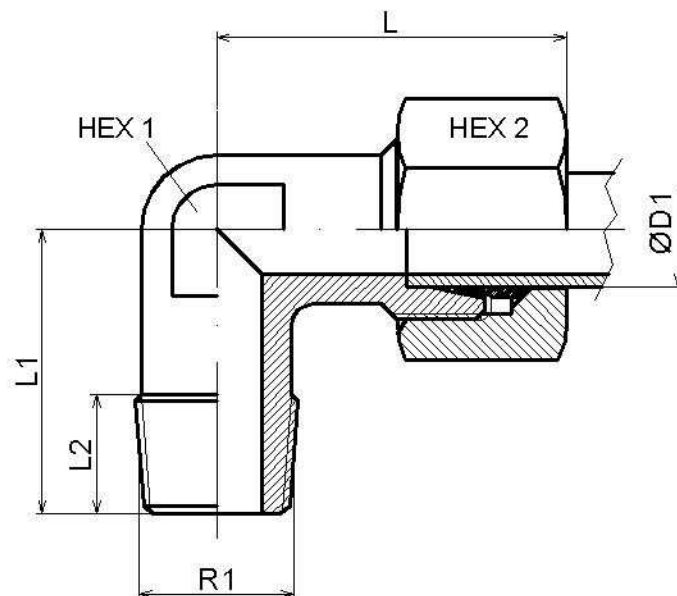
Artículo	ØD1	Serie	R1	L1	L2	HEX 1	HEX 2	CH1
Z WEE 6L R 1/8	6	L	1/8" BSP	20	26	14	14	14
Z WEE 8L R 1/4	8	L	1/4" BSP	22.5	32	19	17	14
Z WEE 10L R 1/4	10	L	1/4" BSP	24.5	33	19	19	19
Z WEE 12L R 3/8	12	L	3/8" BSP	26	37	22	22	19
Z WEE 15L R 1/2	15	L	1/2" BSP	29	44	27	27	22
Z WEE 18L R 1/2	18	L	1/2" BSP	33	47	27	32	27
Z WEE 22L R 3/4	22	L	3/4" BSP	36.5	52	30	36	36
Z WEE 16S R 1/2	16	S	1/2" BSP	33	47	27	30	27
Z WEE 20S R 3/4	20	S	3/4" BSP	38	51	36	36	30
Z WEE 25S R 1	25	S	1" BSP	44	55	41	46	36

Racores DIN 2353

Codos tubo-rosca

Racor en codo rosca cónica NPT**FLUIDAL**

Acero Inoxidable AISI 316-L

1/1

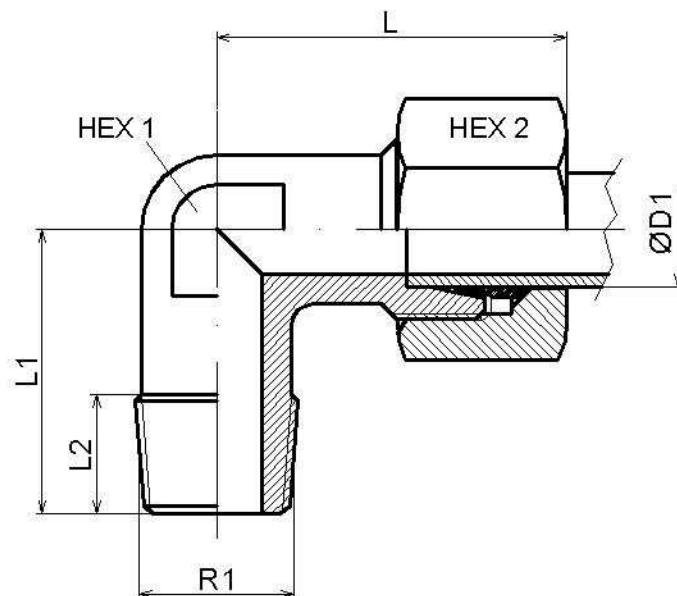
Artículo	ØD1	Serie	R1	Presión de trabajo (bar)	L	L1	L2	HEX 1	HEX 2
Z CKL 6 1/8 NPT	6	L	1/8" NPT	315	27	20	10	12	14
Z CKL 6 1/4 NPT	6	L	1/4" NPT	315	29	26	11	12	14
Z CKL 8 1/4 NPT	8	L	1/4" NPT	315	29	26	15	12	17
Z CKL 10 1/4 NPT	10	L	1/4" NPT	315	30	27	15	14	19
Z CKL 12 1/4 NPT	12	L	1/4" NPT	315	32	28	15	17	22
Z CKL 12 3/8 NPT	12	L	3/8" NPT	315	32	28	12	17	22
Z CKL 12 1/2 NPT	12	L	1/2" NPT	315	38	34	20	19	22
Z CKL 15 1/2 NPT	15	L	1/2" NPT	315	36	34	18	19	27
Z CKL 18 1/2 NPT	18	L	1/2" NPT	315	40	36	20	24	32
Z CKL 22 3/4 NPT	22	L	3/4" NPT	160	44	42	20	27	36
Z CKL 28 1 NPT	28	L	1" NPT	160	47	48	25	36	41
Z CKL 35 1 1/4 NPT	35	L	1"1/4 NPT	160	56	54	25	41	50
Z CKL 42 1 1/2 NPT	42	L	1"1/2 NPT	160	63	61	22	50	60
Z CKS 6 1/4 NPT	6	S	1/4" NPT	630	29	26	11	12	17
Z CKS 8 1/4 NPT	8	S	1/4" NPT	630	32	27	15	14	19
Z CKS 10 3/8 NPT	10	S	3/8" NPT	630	34	28	12	17	22
Z CKS 12 3/8 NPT	12	S	3/8" NPT	630	38	28	13,5	17	24
Z CKS 12 1/2 NPT	12	S	1/2" NPT	630					
Z CKS 14 1/2 NPT	14	S	1/2" NPT	630	40	34	20	19	27
Z CKS 16 1/2 NPT	16	S	1/2" NPT	400	43	36	20	24	30
Z CKS 20 3/4 NPT	20	S	3/4" NPT	400	48	42	20	27	36
Z CKS 25 1 NPT	25	S	1" NPT	400	54	48	25	36	46
Z CKS 30 1 1/4 NPT	30	S	1"1/4 NPT	400	62	54	25	41	50
Z CKS 38 1 1/2 NPT	38	S	1"1/2 NPT	315	72	61	22	50	60

Racores DIN 2353

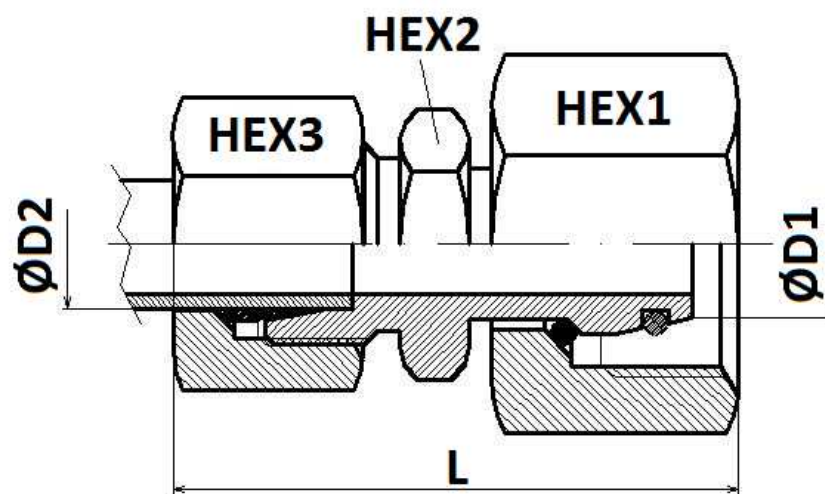
Codos tubo-rosca

Racor en codo rosca cónica Métrica**FLUIDAL**

Acero Inoxidable AISI 316-L

1/1

Artículo	ØD1	Serie	R1	Presión de trabajo (bar)	L	L1	L2	HEX 1
Z CKL 6 M 10X1	6	L	M10X1	315	27	20	8	12
Z CKL 8 M 12X1.5	8	L	M12X1.5	315	29	26	12	12
Z CKL 10 M 14X1.5	10	L	M14X1.5	315	30	27	12	14
Z CKL 12 M 16X1.5	12	L	M16X1.5	315	32	28	12	17
Z CKL 15 M 18X1.5	15	L	M18X1.5	315	36	32	12	19
Z CKL 18 M 22X1.5	18	L	M22X1.5	315	40	36	14	24
Z CKS 6 M 12X1.5	6	S	M12X1.5	400	31	26	12	12
Z CKS 8 M 14X1.5	8	S	M14X1.5	400	32	27	12	14
Z CKS 10 M 16X1.5	10	S	M16X1.5	400	34	28	12	17
Z CKS 12 M 18X1.5	12	S	M18X1.5	400				
Z CKS 14 M 20X1.5	14	S	M20X1.5	400	40	32	14	19
Z CKS 16 M 22X1.5	16	S	M22X1.5	400	43	32	14	24

Racor de reducción con TL Métrica (serie ligera)

Artículo	ØD1	ØD2	Serie	Presión de trabajo (bar)	L	HEX 1	HEX 2	HEX 3
Z KORL 8-6 TLM	8	6	L	315	37.5	17	12	14
Z KORL 10-6 TLM	10	6	L	315	39	19	14	14
Z KORL 12-6 TLM	12	6	L	315	39.5	22	17	14
Z KORL 12-8 TLM	12	8	L	315	40	22	17	17
Z KORL 12-10 TLM	12	10	L	315	41	22	17	19
Z KORL 15-6 TLM	15	6	L	315	41	27	22	14
Z KORL 15-8 TLM	15	8	L	315	41.5	27	22	17
Z KORL 15-10 TLM	15	10	L	315	42.5	27	22	19
Z KORL 15-12 TLM	15	12	L	315	42	27	22	22
Z KORL 18-8 TLM	18	8	L	315	43.5	32	24	17
Z KORL 18-10 TLM	18	10	L	315				
Z KORL 18-12 TLM	18	12	L	315	44	32	24	22
Z KORL 18-15 TLM	18	15	L	315	46	32	24	27
Z KORL 22-10 TLM	22	10	L	160	47	36	27	19
Z KORL 22-12 TLM	22	12	L	160	46.5	36	27	22
Z KORL 22-15 TLM	22	15	L	160	48.5	36	27	27
Z KORL 22-18 TLM	22	18	L	160	49	36	27	32
Z KORL 28-10 TLM	28	10	L	160	48	46	36	19
Z KORL 28-12 TLM	28	12	L	160	47.5	46	36	22
Z KORL 28-15 TLM	28	15	L	160	49.5	46	36	27
Z KORL 28-18 TLM	28	18	L	160	50	46	36	32
Z KORL 28-22 TLM	28	22	L	160	52	46	36	36
Z KORL 35-12 TLM	35	12	L	160	51.5	50	46	22
Z KORL 35-22 TLM	35	22	L	160	56	50	46	36
Z KORL 35-28 TLM	35	28	L	160	56	50	46	41
Z KORL 42-22 TLM	42	22	L	160	58	60	50	36
Z KORL 42-28 TLM	42	28	L	160	58	60	50	41

Racores DIN 2353

Uniones Métricas

Racor de reducción con TL Métrica (serie ligera)



2/2

Artículo	ØD1	ØD2	Serie	Presión de trabajo (bar)	L	HEX 1	HEX 2	HEX 3
Z KORL 42-35 TLM	42	35	L	160	61.5	60	50	50

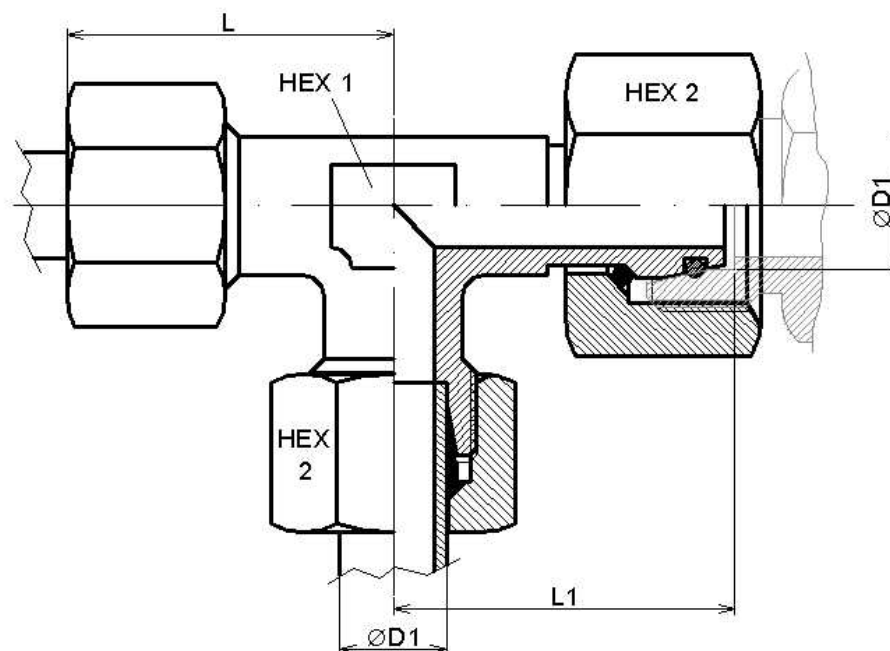
Acero inoxidable

Racores DIN 2353

Racores regulables

Racor en L regulable TL Métrica**FLUIDAL**

Acero Inoxidable AISI 316-L

1/1

Artículo	ØD1	Serie	R1	Presión de trabajo (bar)	L	L1	HEX 1	HEX 2
Z LEL 6 TLM	6	L	M12X1.5	315	27	26	12	14
Z LEL 8 TLM	8	L	M14X1.5	315	29	27,5	12	17
Z LEL 10 TLM	10	L	M16X1.5	315	30	29	14	19
Z LEL 12 TLM	12	L	M18X1.5	315	32	29,5	17	22
Z LEL 15 TLM	15	L	M22X1.5	315	36	32,5	19	27
Z LEL 18 TLM	18	L	M26X1.5	315	40	35,5	24	32
Z LEL 22 TLM	22	L	M30X2	160	44	38,5	27	36
Z LEL 28 TLM	28	L	M36X2	160	47	41,5	36	41
Z LEL 35 TLM	35	L	M45X2	160	56	51	41	50
Z LEL 42 TLM	42	L	M52X2	160	63	56	50	60
Z LES 6 TLM	6	S	M14X1.5	630	31	27	12	17
Z LES 8 TLM	8	S	M16X1.5	630	32	27,5	14	19
Z LES 10 TLM	10	S	M18X1.5	630	34	30	17	22
Z LES 12 TLM	12	S	M20X1.5	630	38	31	17	24
Z LES 14 TLM	14	S	M22X1.5	630	40	35	19	27
Z LES 16 TLM	16	S	M24X1.5	400	43	36,5	24	30
Z LES 20 TLM	20	S	M30X2	400	48	44,5	27	36
Z LES 25 TLM	25	S	M36X2	400	54	50	36	46
Z LES 30 TLM	30	S	M42X2	400	62	55,5	41	50
Z LES 38 TLM	38	S	M52X2	315	72	63	50	60

Racores DIN 2353

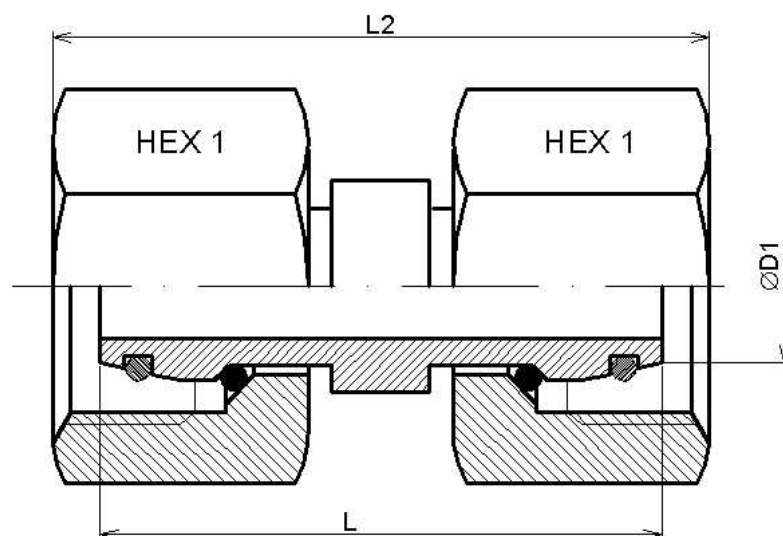
Tubo roscado (hembra giratoria)

Racor unión TL Métrica



Acero Inoxidable AISI 316-L

1/1



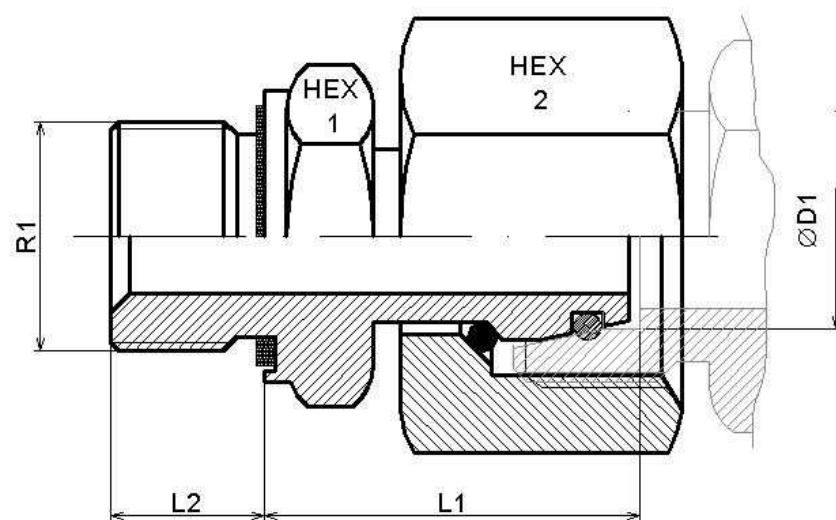
Artículo	ØD1	Serie	Presión de trabajo (bar)	L	L1	HEX 1	OR 1
Z ATL 6	6	L	315	32	36	14	4x1,5
Z ATL 8	8	L	315	32	36	17	6x1,5
Z ATL 10	10	L	315	34	37	19	7,5x1,5
Z ATL 12	12	L	315	34	37	22	9x1,5
Z ATL 15	15	L	315	37	40	27	12x2
Z ATL 18	18	L	315	38,5	42,5	32	15x2
Z ATL 22	22	L	160	42,5	46,5	36	20x2
Z ATL 28	28	L	160	44,5	48,5	41	26x2
Z ATL 35	35	L	160	51	58	50	32x2,5
Z ATL 42	42	L	160	52	59	60	38x2,5
Z ATS 6	6	S	630	35	39	17	4x1,5
Z ATS 8	8	S	630	35	39	19	6x1,5
Z ATS 10	10	S	630	39	43	22	7,5x1,5
Z ATS 12	12	S	630	40	44	24	9x1,5
Z ATS 14	14	S	630	43	48	27	10x2
Z ATS 16	16	S	400	44	50	30	12x2
Z ATS 20	20	S	400	53,5	59,5	36	16x2,5
Z ATS 25	25	S	400	56,5	65,5	46	20x2,5
Z ATS 30	30	S	400	60,5	73,5	50	25x2,5
Z ATS 38	38	S	315	65,5	82,5	60	33x2,5

Racores DIN 2353

Tubo roscado (hembra giratoria)

Racor recto macho BSP con junta plana - TLM**FLUIDAL**

1/1



Artículo	ØD1	Serie	R1	Presión de trabajo (bar)	L	L1	HEX 1	HEX 2
Z RAL 6 R 1/8TLMWD	6	L	1/8"BSP	315	20.5	8	14	17
Z RAL 8 R 1/4TLMWD	8	L	1/4"BSP	315	22	12	19	17
Z RAL 10 R 1/4TLMWD	10	L	1/4"BSP	315	23	12	19	19
Z RAL 12 R 1/4TLMWD	12	L	1/4"BSP	315	24.5	12	19	22
Z RAL 12 R 3/8TLMWD	12	L	3/8"BSP	315	25	12	22	22
Z RAL 12 R 1/2TLMWD	12	L	1/2"BSP	315	34.5	14	27	22
Z RAL 15 R 1/2TLMWD	15	L	1/2"BSP	315	26	14	27	27
Z RAL 18 R 1/2TLMWD	18	L	1/2"BSP	315	28.5	14	27	32
Z RAL 22 R 3/4TLMWD	22	L	3/4"BSP	160	30	16	32	36
Z RAL 28 R 1TLMWD	28	L	1"BSP	160	31	18	41	46
Z RAL 35 R 1 1/4TLMWD	35	L	1"1/4 BSP	160	33.5	20	50	50
Z RAL 42 R 1 1/2TLMWD	42	L	1"1/2 BSP	160	36	22	55	60
Z RAS 6 R 1/4TLMWD	6	S	1/4"BSP	630	24.5	12	19	17
Z RAS 8 R 1/4TLMWD	8	S	1/4"BSP	630	26	12	19	19
Z RAS 10 R 3/8TLMWD	10	S	3/8"BSP	630	29	12	22	22
Z RAS 12 R 3/8TLMWD	12	S	3/8"BSP	630	29	12	22	24
Z RAS 14 R 1/2TLMWD	14	S	1/2"BSP	630	30	14	27	27
Z RAS 16 R 1/2TLMWD	16	S	1/2"BSP	400	30	14	27	30
Z RAS 20 R 3/4TLMWD	20	S	3/4"BSP	400	36	16	32	36
Z RAS 25 R 1TLMWD	25	S	1"BSP	400	38	18	41	46
Z RAS 30 R 1 1/4TLMWD	30	S	1"1/4 BSP	400	40	20	50	50
Z RAS 38 R 1 1/2TLMWD	38	S	1"1/2 BSP	315	41	22	55	60

Acero inoxidable.
Juntas FKM

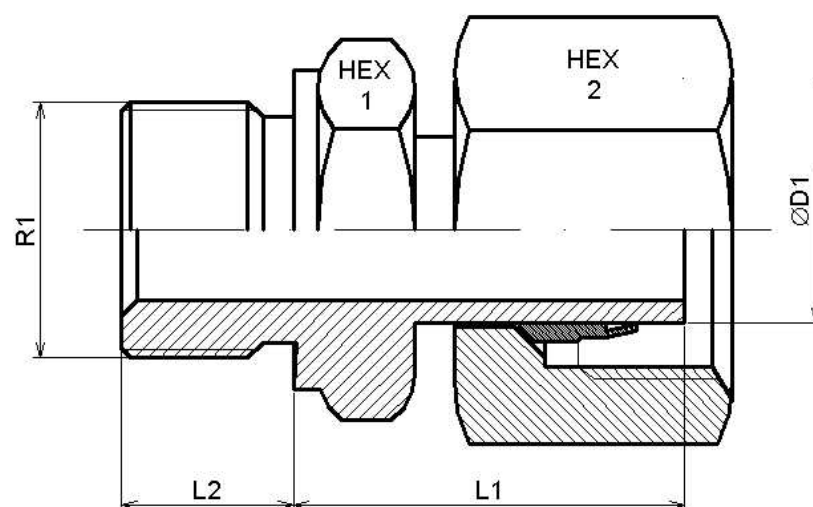
Racores DIN 2353

Tubo roscado (hembra giratoria)

Racor recto macho Métrico - tubo CTA

Acero Inoxidable AISI 316-L

1/1



Artículo	ØD1	Serie	R1	Presión de trabajo (bar)	L1	L2	HEX 1	HEX 2
Z RAL 6 M 10X1CTA	6	L	M10X1	315	24,5	8	14	14
Z RAL 8 M 12X1.5CTA	8	L	M12X1.5	315	26,5	12	17	17
Z RAL 10 M 14X1.5CTA	10	L	M14X1.5	315	27,5	12	19	19
Z RAL 12 M 16X1.5CTA	12	L	M16X1.5	315	30,5	12	22	22
Z RAL 15 M 18X1.5CTA	15	L	M18X1.5	315	31,5	12	24	27
Z RAL 18 M 22X1.5CTA	18	L	M22X1.5	315	31,5	14	27	32
Z RAL 22 M 26X1.5CTA	22	L	M26X1.5	160	32,5	16	32	36
Z RAL 28 M 33X2CTA	28	L	M33X2	160	35	18	41	41
Z RAL 35 M 42X2CTA	35	L	M42X2	160	42,5	20	50	50
Z RAL 42 M 48X2CTA	42	L	M48X2	160	46,5	22	55	60
Z RAS 6 M 12X1.5CTA	6	S	M12X1.5	630	27	12	17	17
Z RAS 8 M 14X1.5CTA	8	S	M14X1.5	630	29,5	12	19	19
Z RAS 10 M 16X1.5CTA	10	S	M16X1.5	630	32	12	22	22
Z RAS 12 M 18X1.5CTA	12	S	M18X1.5	630	34	12	24	24
Z RAS 14 M 20X1.5CTA	14	S	M20X1.5	630	36,5	14	27	27
Z RAS 16 M 22X1.5CTA	16	S	M22X1.5	400	37	14	27	30
Z RAS 20 M 27X2CTA	20	S	M27X2	400	43	16	32	36
Z RAS 25 M 33X2CTA	25	S	M33X2	400	48	18	41	46
Z RAS 30 M 42X2CTA	30	S	M42X2	400	51	20	50	50
Z RAS 38 M 48X2CTA	38	S	M48X2	315	60	22	55	60

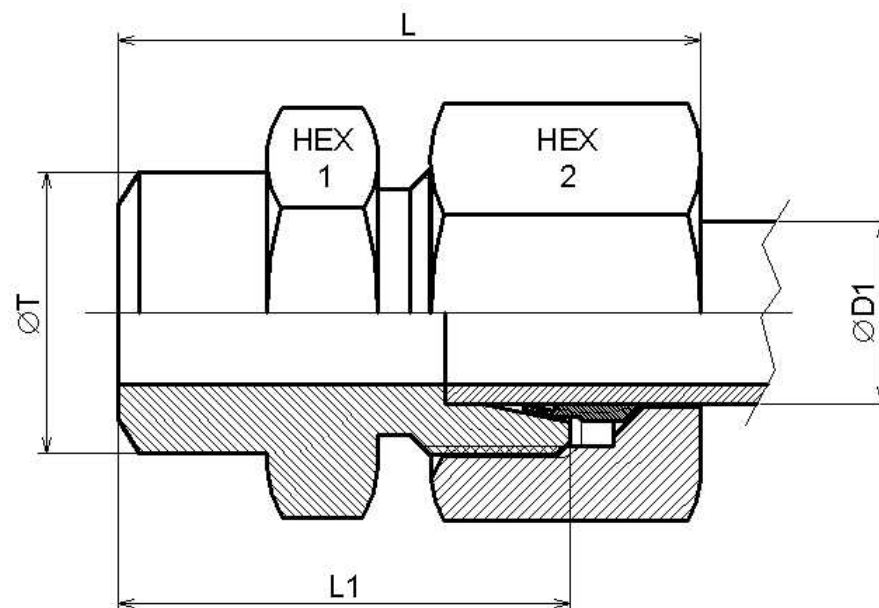
Racores DIN 2353

Soldables

Racor recto para soldar**FLUIDAL**

Acero Inoxidable AISI 316-L

1/1



Artículo	ØD1	Serie	Presión de trabajo (bar)	L	L1	L2	HEX 1	HEX 2	ØT
Z ASL 6	6	L	315	29	21	14	14	14	10
Z ASL 8	8	L	315	31	23	16	14	17	12
Z ASL 10	10	L	315	33	25	18	17	19	14
Z ASL 12	12	L	315	33	25	18	19	22	16
Z ASL 15	15	L	315	37	29	22	22	27	19
Z ASL 18	18	L	315	40	31	23,5	27	32	22
Z ASL 22	22	L	160	45	36	28,5	32	36	27
Z ASL 28	28	L	160	47	38	30,5	41	41	32
Z ASL 35	35	L	160	54	43	32,5	46	50	40
Z ASL 42	42	L	160	58	46	35	55	60	46
Z ASS 6	6	S	630	34	26	19	14	17	11
Z ASS 8	8	S	630	36	28	21	17	19	13
Z ASS 10	10	S	630	39	30	22,5	19	22	15
Z ASS 12	12	S	630	41	32	24,5	22	24	17
Z ASS 14	14	S	630	45	35	27	24	27	19
Z ASS 16	16	S	400	45	35	26,5	27	30	21
Z ASS 20	20	S	400	51	40	29,5	32	36	26
Z ASS 25	25	S	400	56	44	32	41	46	31
Z ASS 30	30	S	400	62	49	35,5	46	50	36
Z ASS 38	38	S	315	69	54	38	55	60	44

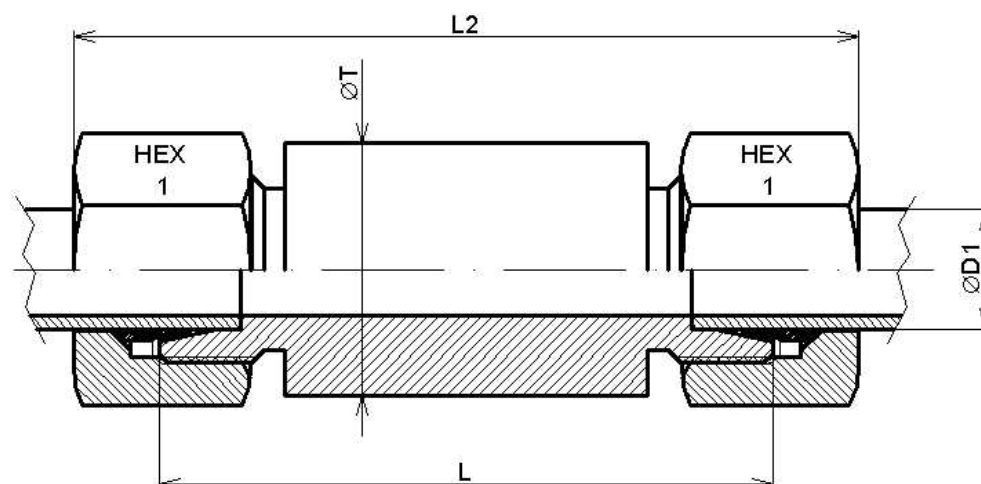
Racores DIN 2353

Soldables

Racor pasatabique para soldar**FLUIDAL**

Acero Inoxidable AISI 316-L

1/1



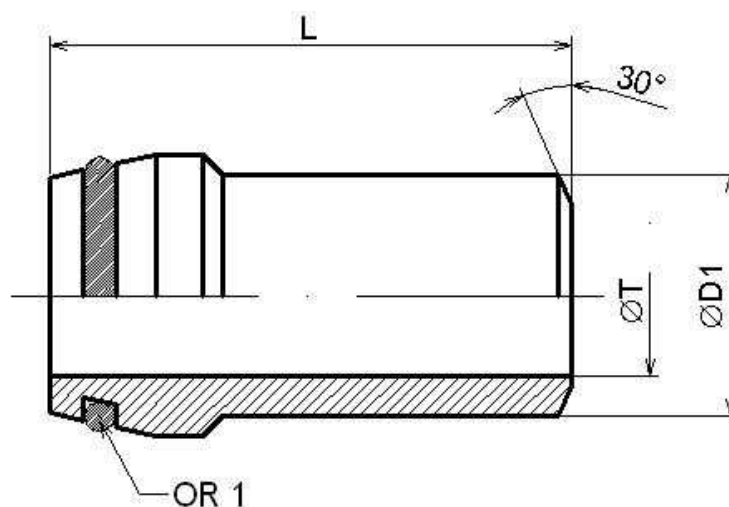
Artículo	ØD1	Serie	Presión de trabajo (bar)	L	L2	HEX 1
Z ESVL 6	6	L	315	70	86	14
Z ESVL 8	8	L	315	70	86	17
Z ESVL 10	10	L	315	72	88	19
Z ESVL 12	12	L	315	72	88	22
Z ESVL 15	15	L	315	84	100	27
Z ESVL 18	18	L	315	84	102	32
Z ESVL 22	22	L	160	88	106	36
Z ESVL 28	28	L	160	88	106	41
Z ESVL 35	35	L	160	92	114	50
Z ESVL 42	42	L	160	92	116	60
Z ESVS 6	6	S	630	74	90	17
Z ESVS 8	8	S	630	74	90	19
Z ESVS 10	10	S	630	74	92	22
Z ESVS 12	12	S	630	74	92	24
Z ESVS 14	14	S	630			
Z ESVS 16	16	S	400	88	108	30
Z ESVS 20	20	S	400	92	114	36
Z ESVS 25	25	S	400	96	120	46
Z ESVS 30	30	S	400	100	126	50
Z ESVS 38	38	S	315	104	134	60

Racores DIN 2353

Soldables

Boquilla para soldar

1/1



Artículo	ØD1	Serie	Presión de trabajo (bar)	OR 1	ØT	L
Z ORIL 10	10x1.5	L	315	7,5x1,5	7	31
Z ORIL 15	15x2.5	L	315	12x2	10	36
Z ORIL 18	18x2.5	L	315	15x2	13	36
Z ORIL 22	22x2.5	L	160	20x2	17	38.5
Z ORIL 28	28x3	L	160	26x2	22	41.5
Z ORIL 35	35x4	L	160	32x2,5	27	47
Z ORIL 42	42x3	L	160	38x2,5	36	47
Z ORIS 6	6x1.5	S	630	4x1,5	3	31
Z ORIS 8	8x2	S	630	6x1,5	4	31
Z ORIS 10	10x2	S	630	7,5x1,5	7	31
Z ORIS 12	12x2	S	630	9x1,5	8	32.5
Z ORIS 14	14x3	S	630	10x2	8	40
Z ORIS 16	16x3	S	400	12x2	10	39
Z ORIS 20	20x3	S	400	16,3x2,4	14	44.5
Z ORIS 25	25x3.5	S	400	20,3x2,4	18	49.5
Z ORIS 30	30x5	S	250	25,3x2,4	20	52
Z ORIS 38	38x5	S	250	33,3x2,4	28	56.5

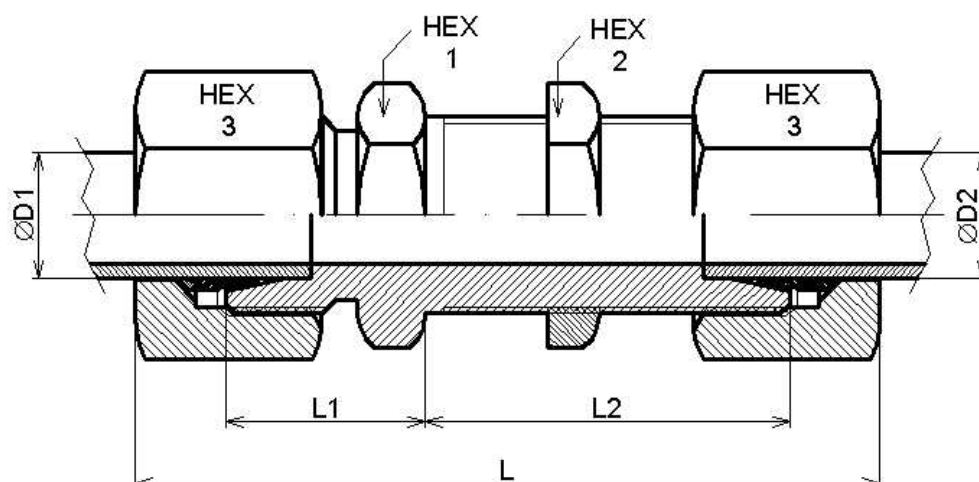
ACERO INOXIDABLE

Racores DIN 2353

Pasatabiques

Racor recto pasatabique con tuerca**FLUIDAL**

Acero Inoxidable AISI 316-L

1/1

Artículo	ØD1	Serie	Presión de trabajo (bar)	L	L1	L2	HEX 1	HEX 2	HEX 3
Z SVL 6	6	L	315	64	14	34	17	17	14
Z SVL 8	8	L	315	65	15	34	19	19	17
Z SVL 10	10	L	315	68	17	35	22	22	19
Z SVL 12	12	L	315	69	17	36	24	24	22
Z SVL 15	15	L	315	73	19	38	27	30	27
Z SVL 18	18	L	315	79	21	40	32	36	32
Z SVL 22	22	L	160	84	24	42	36	41	36
Z SVL 28	28	L	160	87	26	43	41	46	41
Z SVL 35	35	L	160	98	29	47	50	55	50
Z SVL 42	42	L	160	101	30	47	60	65	60
Z SVS 6	6	S	630	71	19	36	19	19	17
Z SVS 8	8	S	630	72	20	36	22	22	19
Z SVS 10	10	S	630	77	22	37	24	24	22
Z SVS 12	12	S	630	78	22	38	27	27	24
Z SVS 14	14	S	630	85	24	40	30	30	27
Z SVS 16	16	S	400	85	26	40	32	32	30
Z SVS 20	20	S	400	94	29	44	41	41	36
Z SVS 25	25	S	400	103	31	47	46	46	46
Z SVS 30	30	S	400	112	34	51	50	50	50
Z SVS 38	38	S	315	121	37	53	65	65	60

Racores DIN 2353

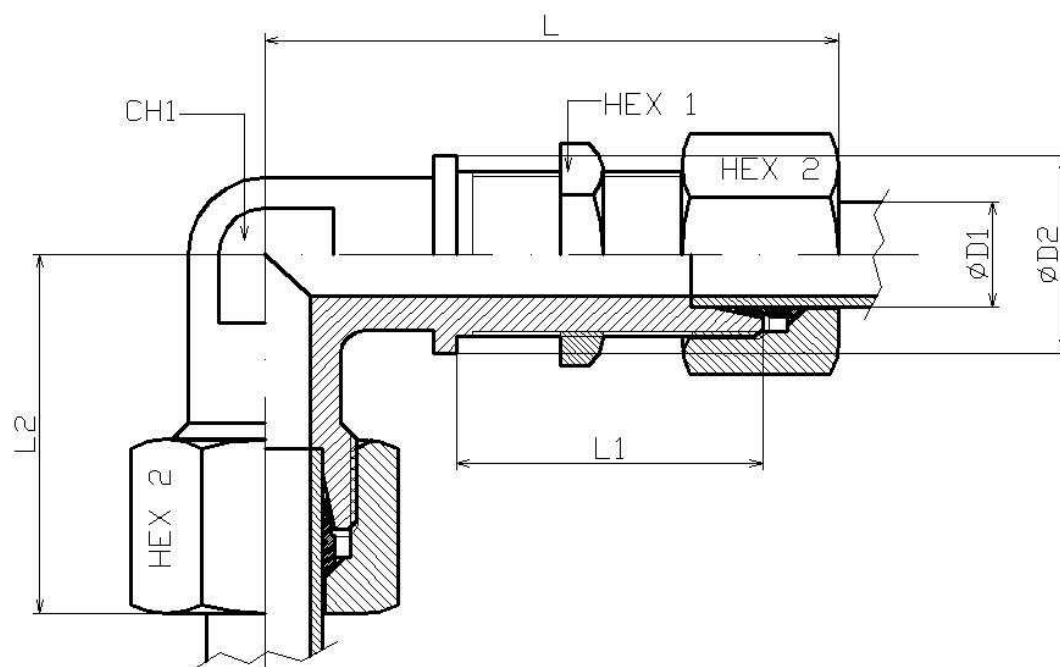
Pasatabiques

Racor en codo pasatabique con tuerca



Acero Inoxidable AISI 316-L

1/1



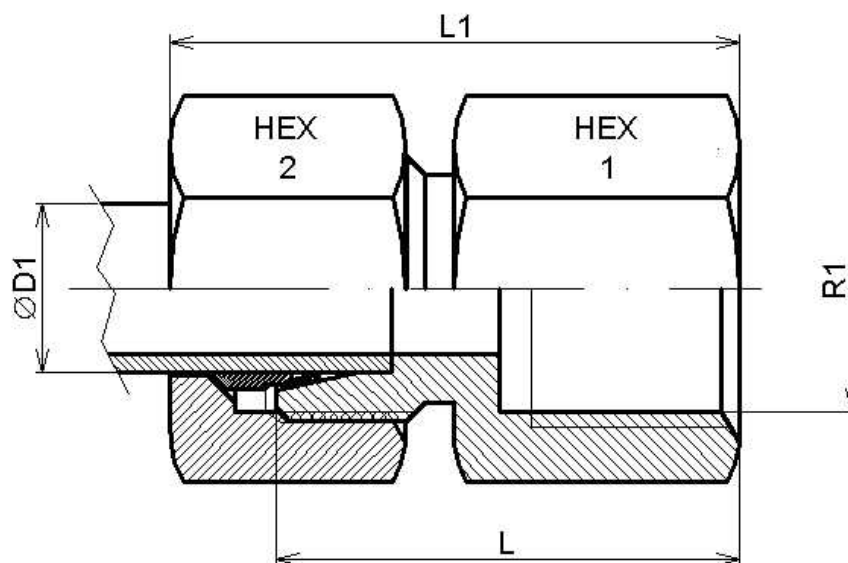
Artículo	ØD1	ØD2	Serie	Presión de trabajo (bar)	L	L1	L2	HEX 1	HEX 2	CH1
Z USVL 6	6	6	L	315	56	27	27	17	14	12
Z USVL 8	8	19	L	315	59	27	29	19	17	12
Z USVL 10	10	22	L	315	61	28	30	22	19	14
Z USVL 12	12	24	L	315	64	29	32	24	22	17
Z USVL 15	15	27	L	315	69	31	36	30	27	19
Z USVL 18	18	32	L	315	73	32,5	40	36	32	24
Z USVL 22	22	36	L	160	81	34,5	44	41	36	27
Z USVL 28	28	42	L	160	86	35,5	47	46	41	36
Z USVL 35	35	50	L	160	97	36,5	56	55	50	41
Z USVL 42	42	60	L	160	102	36	63	65	60	50
Z USVS 6	6	19	S	630	61	29	31	19	17	12
Z USVS 8	8	22	S	630	62	29	32	22	19	14
Z USVS 10	10	24	S	630	66	29,5	34	24	22	17
Z USVS 12	12	27	S	630	68	30,5	38	27	24	17
Z USVS 14	14	27	S	630	73	32	40	30	27	19
Z USVS 16	16	30	S	400	74	31,5	43	32	30	24
Z USVS 20	20	36	S	400	85	33,5	48	41	36	27
Z USVS 25	25	42	S	400	93	35	54	46	46	36
Z USVS 30	30	50	S	400	103	37,5	62	50	50	41
Z USVS 38	38	60	S	315	111	37	72	65	60	50

Racores DIN 2353

Racor recto hembra

Racor recto hembra rosca BSP

Acero Inoxidable AISI 316-L

1/1

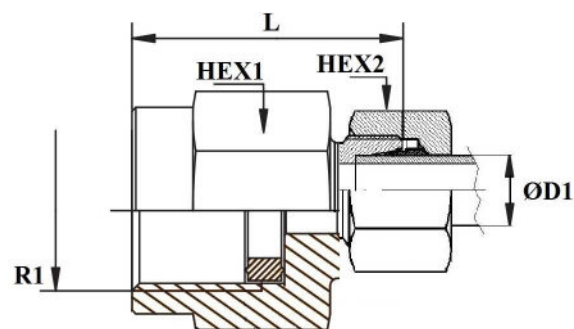
Artículo	ØD1	Serie	R1	Presión de trabajo (bar)	L	L1	HEX 1	HEX 2
Z GAIL 6 R 1/8	6	L	1/8" BSP	315	26	34	14	14
Z GAIL 6 R 1/4	6	L	1/4" BSP	315				
Z GAIL 8 R 1/4	8	L	1/4" BSP	315	31	39	19	17
Z GAIL 10 R 1/4	10	L	1/4" BSP	315	32	40	19	19
Z GAIL 12 R 1/2	12	L	1/2" BSP	315	37	45	27	22
Z GAIL 12 R 3/8	12	L	3/8" BSP	315	33	41	22	22
Z GAIL 15 R 1/2	15	L	1/2" BSP	315	38	46	27	27
Z GAIL 18 R 1/2	18	L	1/2" BSP	315	38	47	27	32
Z GAIL 22 R 3/4	22	L	3/4" BSP	160	43	52	32	36
Z GAIL 28 R 1	28	L	1" BSP	160	45,5	54,5	41	41
Z GAIL 35 R 1 1/4	35	L	1"1/4 BSP	160	51,5	62,5	50	50
Z GAIL 42 R 1 1/2	42	L	1"1/2 BSP	160	53,5	65,5	55	60
Z GAIS 6 R 1/4	6	S	1/4" BSP	630	33	41	19	17
Z GAIS 8 R 1/4	8	S	1/4" BSP	630	33	41	19	19
Z GAIS 10 R 3/8	10	S	3/8" BSP	630	34	43	24	22
Z GAIS 12 R 3/8	12	S	3/8" BSP	630	34	43	24	24
Z GAIS 14 R 3/8	14	S	3/8" BSP	630				
Z GAIS 14 R 1/2	14	S	1/2" BSP	630	40	50	27	27
Z GAIS 16 R 1/2	16	S	1/2" BSP	400	40	50	27	30
Z GAIS 20 R 3/4	20	S	3/4" BSP	400	45	56	36	36
Z GAIS 25 R 1	25	S	1" BSP	400	49,5	61,5	41	46
Z GAIS 30 R 1 1/4	30	S	1"1/4 BSP	400	55,5	68,5	50	50
Z GAIS 38 R 1 1/2	38	S	1"1/2 BSP	315	59,5	74,5	60	60

Racores DIN 2353

Racor recto hembra

Racor para manómetro BSP**FLUIDAL**

1/1



Artículo	ØD1	Serie	R1	Presión de trabajo (bar)	L	HEX 1	HEX 2
Z MAVL 6 R 1/4	6	L	1/4" BSP	315	37.5	14	19
Z MAVL 8 R 1/4	8	L	1/4" BSP	315	37.5	17	19
Z MAVL 10 R 1/4	10	L	1/4" BSP	315	39.5	19	19
Z MAVL 12 R 1/4	12	L	1/4" BSP	315	39.5	22	19
Z MAVS 6 R 1/2	6	S	1/2" BSP	630	47.5	17	27
Z MAVS 8 R 1/2	8	S	1/2" BSP	630	47.5	19	27
Z MAVS 10 R 1/2	10	S	1/2" BSP	630	48.5	22	27
Z MAVS 12 R 1/2	12	S	1/2" BSP	630	48.5	24	27

Acero inoxidable

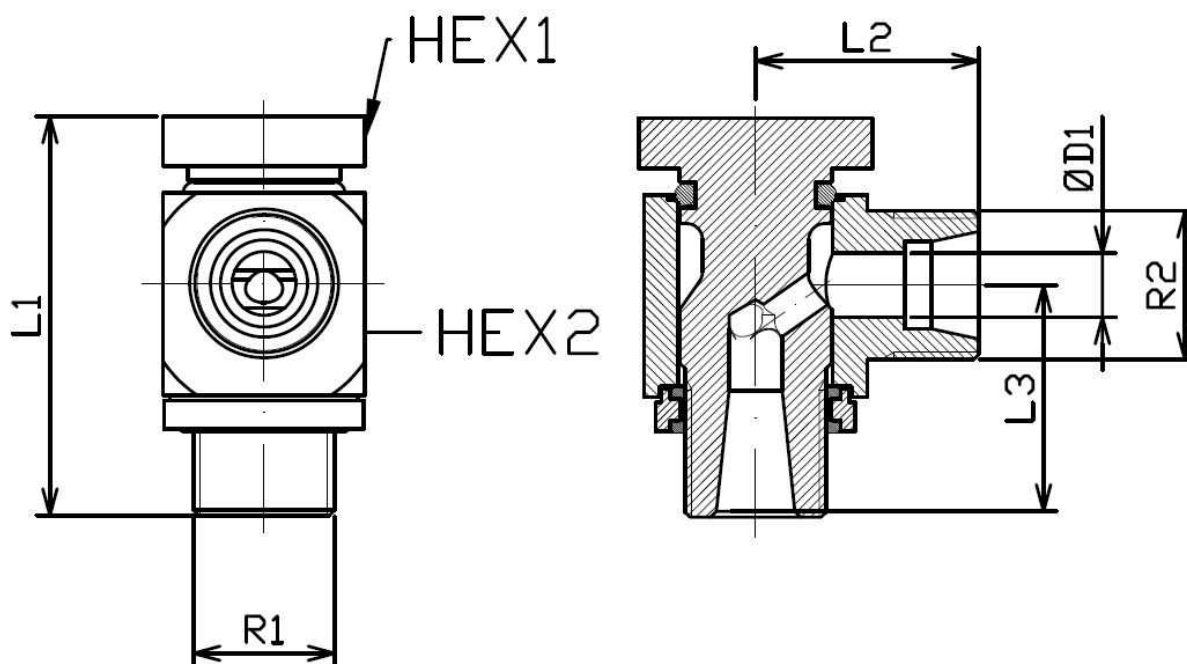
Racores DIN 2353

Orientables

Racor en codo orientable sin estrangulación rosca BSP



1/1



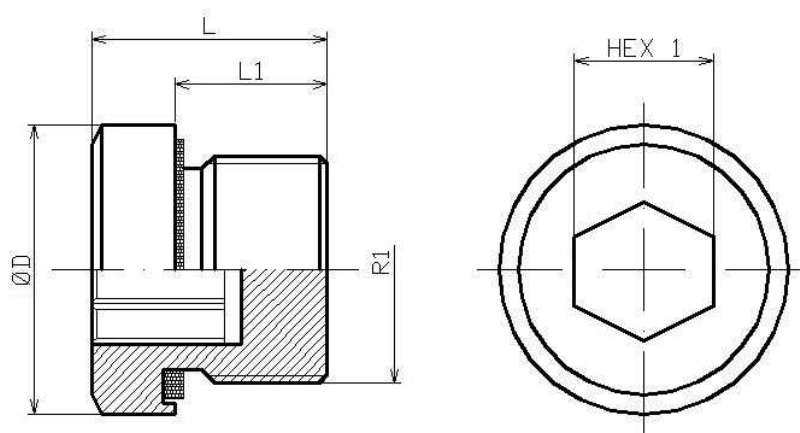
Artículo	ØD1	Serie	R1	R2	Presión de trabajo (bar)	L1	L2	L3	HEX 1	HEX 2
Z WSVL 6 R 1/8	6	L	1/8" BSP	M12x1,5	315	31.5	12	18.5	17	17
Z WSVL 6 R 1/4	6	L	1/4" BSP							
Z WSVL 8 R 1/4	8	L	1/4" BSP	M14x1,5	315	42	14.5	27	19	22
Z WSVL 10 R 1/4	10	L	1/4" BSP	M16x1,5	315	41.6	15.5	26.6	19	22
Z WSVL 12 R 3/8	12	L	3/8" BSP	M18x1,5	315	47	18	28.5	24	27
Z WSVL 15 R 1/2	15	L	1/2" BSP	M22x1,5	315	58	21.5	33.5	27	32
Z WSVL 18 R 1/2	18	L	1/2" BSP	M26x1,5	315	60	21.8	35.5	27	32
Z WSVL 22 R 3/4	22	L	3/4" BSP	M30x2	160	68	27.5	40	36	41
Z WSVL 28 R 1	28	L	1" BSP	M36x2	160	82	32	48.5	46	50
Z WSVL 35 R 1 1/4	35	L	1"1/4 BSP	M45x2	160	95	36	55.5	50	60
Z WSVL 42 R 1 1/2	42	L	1"1/2 BSP	M52x2	160	96	40.5	62.5	60	70
Z WSVS 6 R 1/4	6	S	1/4" BSP	M14x1,5	400	42	16.5	27	19	22
Z WSVS 8 R 1/4	8	S	1/4" BSP	M16x1,5	400	42	16.5	27	19	22
Z WSVS 10 R 3/8	10	S	3/8" BSP	M18x1,5	400	47.5	18.5	28.5	24	27
Z WSVS 12 R 3/8	12	S	3/8" BSP	M20x1,5	400	47	18.5	28.5	24	27
Z WSVS 14 R 1/2	14	S	1/2" BSP	M22x1,5	400	58	22.5	33.5	27	32
Z WSVS 16 R 1/2	16	S	1/2" BSP	M24x1,5	400	60	22	35.5	27	32
Z WSVS 20 R 3/4	20	S	3/4" BSP	M30x2	250	68	26.5	40	36	41
Z WSVS 25 R 1	25	S	1" BSP	M36x2	250	82	31.5	49.5	46	50
Z WSVS 30 R 1 1/4	30	S	1"1/4 BSP	M42x2	250	95	37	55.5	55	60
Z WSVS 38 R 1 1/2	38	S	1"1/2 BSP	M52x2	250	96	41.5	62.5	60	70

Racores DIN 2353

Tapones

Tapón de cierre Allen rosca BSP con junta**FLUIDAL**

1/1



Artículo	R1	Presión de trabajo (bar)	L	L1	HEX 1	ØD
Z STOPFEN 1/8	1/8" BSP	400	12	8	5	14
Z STOPFEN 1/4	1/4" BSP	400	17	12	6	19
Z STOPFEN 3/8	3/8" BSP	400	17	12	8	22
Z STOPFEN 1/2	1/2" BSP	400	19	14	10	26.9
Z STOPFEN 3/4	3/4" BSP	400	21	16	12	32
Z STOPFEN 1	1" BSP	400	24.5	18	17	40
Z STOPFEN 1 1/4	1"1/4 BSP	250	24.5	18	24	55
Z STOPFEN 1 1/2	1"1/2 BSP	250	24.5	18	22	50

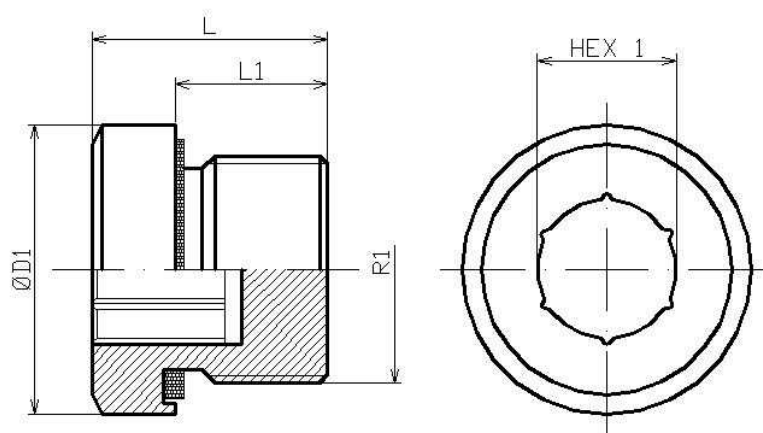
Racores DIN 2353

Tapones

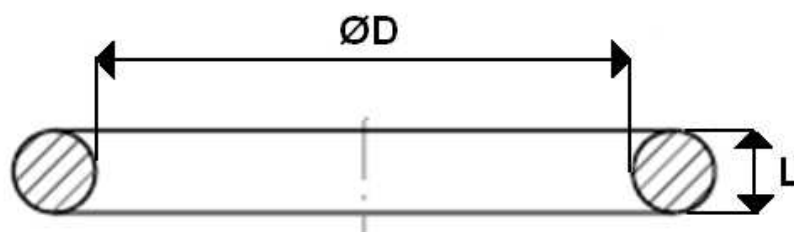
Tapón de cierre Allen rosca Métrica con junta

Acero Inoxidable AISI 316

1/1

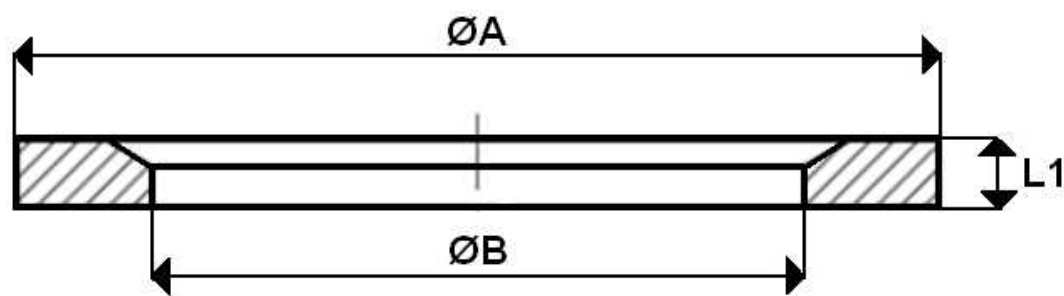


Artículo	ØD1	R1	Presión de trabajo (bar)	L	L1	HEX 1
Z STOPFEN M 10X1	14	M10X1	400	12	8	5
Z STOPFEN M 12X1,5	17	M12X1.5	400	17	12	6
Z STOPFEN M 14X1,5	19	M14X1.5	400	17	12	6
Z STOPFEN M 16X1,5	22	M16X1.5	400	17	12	8
Z STOPFEN M 18X1,5	24	M18X1.5	400	17	12	8
Z STOPFEN M 20X1,5	26	M20X1.5	400	19	14	10
Z STOPFEN M 22X1,5	27	M22X1.5	400	19	14	10
Z STOPFEN M 26X1,5	32	M26X1.5	400	21	16	12
Z STOPFEN M 27X2	32	M27X2	400	21	16	12
Z STOPFEN M 33X2	40	M33X2	400	22.5	16	17
Z STOPFEN M 42X2	50	M42X2	250	22.5	16	22
Z STOPFEN M 48X2	55	M48X2	250	22.5	16	24

Juntas tóricas FKM verde**Dureza:** 70 IRHD

Artículo	ØD1	ØD	L
JVT06	6	4	1.5
JVT08	8	6	1.5
JVT10	10	7.5	1.5
JVT12	12	9	1.5
JVT14	14	10	2
JVT15	15-16	12	2
JVT18	18	15	2
JVT20	20	16.3	2.4
JVT22	22	19	2
JVT25	25	20.3	2.4
JVT28	28	26	2
JVT30	30	25.3	2.4
JVT35	35	32	2.5
JVT38	38	33.3	2.4
JVT42	42	38	2.5

ØD1=TUBO



Segun norma DIN 3852

Artículo	R1	L1	ØA	ØB
JVBSP02	1/8" BSP - M10x1	0,7	12	8,3
JVM12	M12x1.5	1,2	14,5	9,7
JVBSP04	1/4" BSP - M14x1.5	1,2	16,6	11,7
JVM16	M16x1.5	1,2	19	13,7
JVBSP06	3/8" BSP	1,2	19	14,7
JVM18	M18x1.5	1,2	21	15,7
JVM20	M20x1.5	1,2	23	17,7
JVBSP08	1/2" BSP	1,2	24	18,4
JVM22	M22x1.5	1,2	24,5	19,7
JVBSP12	3/4" BSP - M26x1.5	1,2	29,3	23,8
JVBSP16	1" BSP - M33x2	1,6	36	29,6
JVBSP20	1"1/4 BSP - M42x2	1,6	46	38,6
JVBSP24	1"1/2 BSP - M48x2	1,6	51	44,5
JVBSP32	2" BSP	3,2	67	56,3

Racores DIN 2353

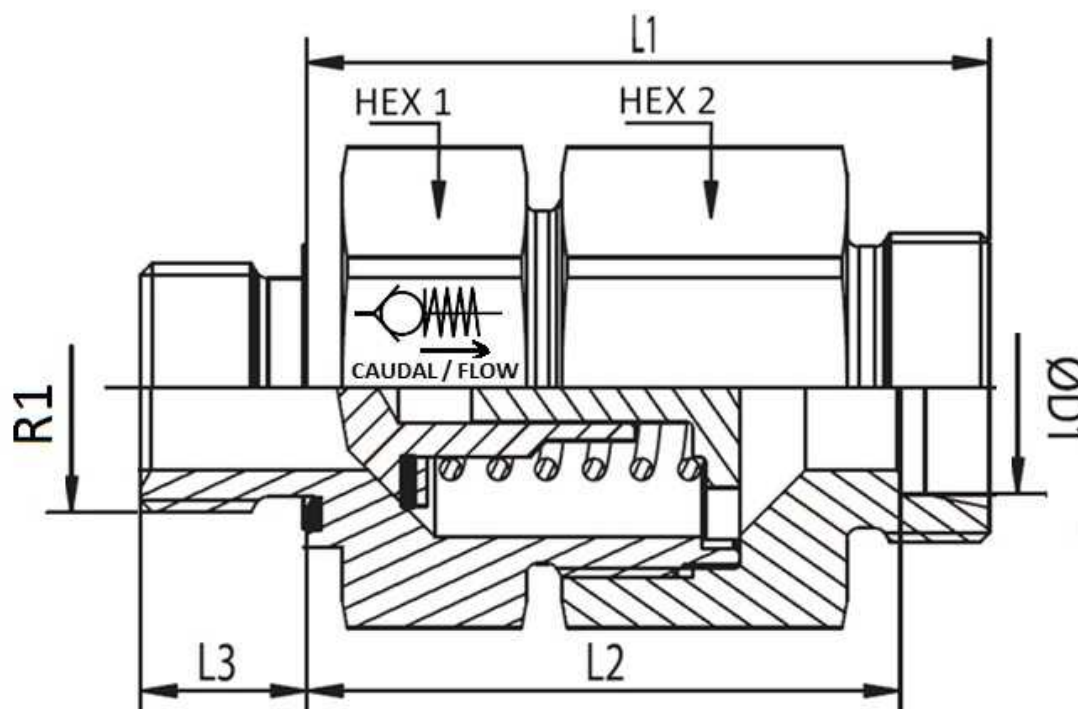
Válvulas antirretorno

Válvula antirretorno rosca BSP-tubo



Acero Inoxidable AISI 316-L

1/1



Presión de apertura: 1 bar

Artículo	ØD1	Serie	R1	Presión de trabajo (bar)	L1	L2	L3	HEX 1	HEX 2
Z RHVL 6 R 1/8	6	L	M 1/8" BSP	250	35	28	8	17	17
Z RHVL 8 R 1/4	8	L	M 1/4" BSP	250	37	30	12	19	19
Z RHVL 10 R 1/4	10	L	M 1/4" BSP	250	45,5	38,5	12	22	24
Z RHVL 12 R 3/8	12	L	M 3/8" BSP	250	49,5	42,5	12	27	30
Z RHVL 15 R 1/2	15	L	M 1/2" BSP	250	52,5	45,5	14	27	32
Z RHVL 18 R 1/2	18	L	M 1/2" BSP	160	57,5	50	14	36	36
Z RHVL 22 R 3/4	22	L	M 3/4" BSP	160	62,5	55	16	41	46
Z RHVL 28 R 1	28	L	M 1" BSP	100	70,5	63	18	50	55
Z RHVL 35 R 1 1/4	35	L	M 1"1/4 BSP	100	79,5	69	20	60	60
Z RHVL 42 R 1 1/2	42	L	M 1"1/2 BSP	100	80	69	22	65	70
Z RHVS 6 R 1/4	6	S	M 1/4" BSP	400	38,5	31,5	12	19	19
Z RHVS 8 R 1/4	8	S	M 1/4" BSP	400	38,5	31,5	12	19	19
Z RHVS 10 R 3/8	10	S	M 3/8" BSP	400	45,5	38	12	22	24
Z RHVS 12 R 3/8	12	S	M 3/8" BSP	400	48,5	41	12	24	27
Z RHVS 14 R 1/2	14	S	M 1/2" BSP	315	52,5	44,5	14	27	32
Z RHVS 16 R 1/2	16	S	M 1/2" BSP	315	56,5	48	14	32	36
Z RHVS 20 R 3/4	20	S	M 3/4" BSP	250	62,5	52	16	38	41
Z RHVS 25 R 1	25	S	M 1" BSP	250	66,5	54,5	18	46	50
Z RHVS 30 R 1 1/4	30	S	M 1"1/4 BSP	250	77,5	64	20	55	60
Z RHVS 38 R 1 1/2	38	S	M 1"1/2 BSP	250	85,5	72	22	65	70

Racores DIN 2353

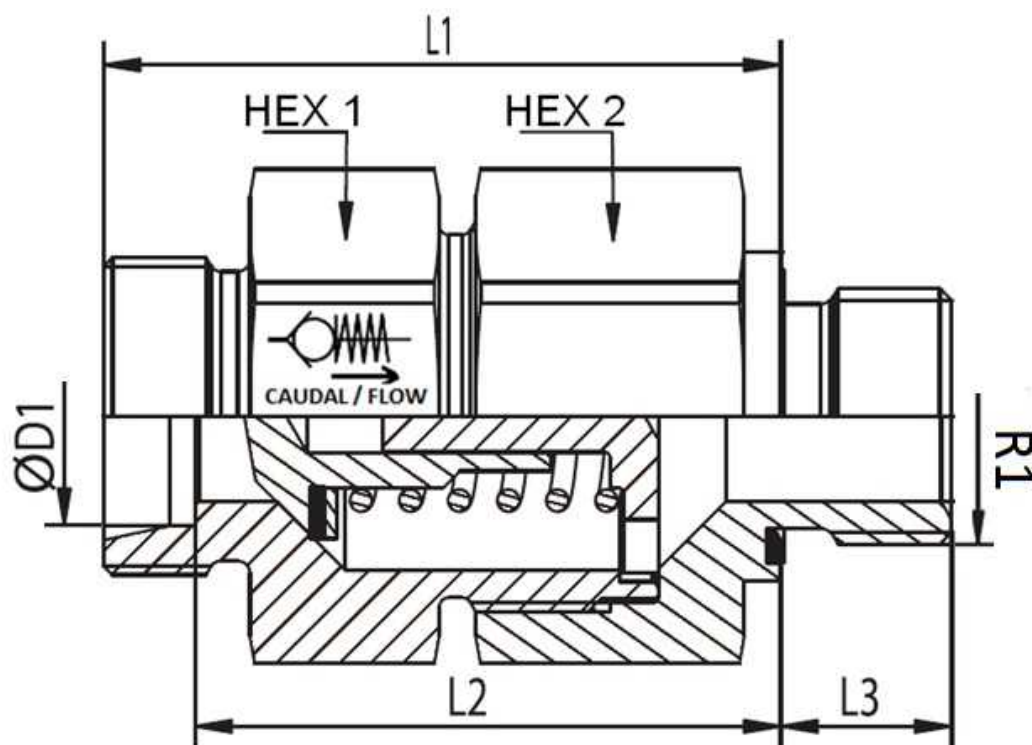
Válvulas antirretorno

Válvula antirretorno tubo-rosca BSP



Acero Inoxidable AISI 316-L

1/1



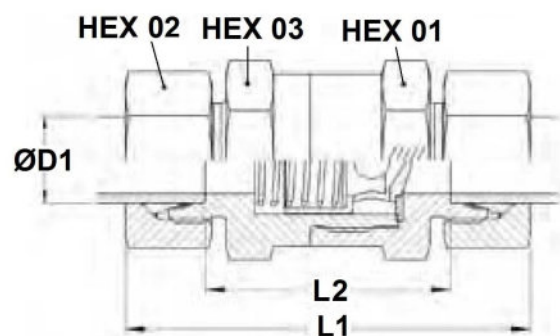
Artículo	ØD1	Serie	R1	Presión de trabajo (bar)	L1	L2	L3	HEX 1	HEX 2
Z RHZL 6 R 1/8	6	L	M 1/8" BSP	250	33,5	26,5	8	17	17
Z RHZL 8 R 1/4	8	L	M 1/4" BSP	250	35,5	28,5	12	19	19
Z RHZL 10 R 1/4	10	L	M 1/4" BSP	250	45,5	38,5	12	22	24
Z RHZL 12 R 3/8	12	L	M 3/8" BSP	250	47,5	40,5	12	27	30
Z RHZL 15 R 1/2	15	L	M 1/2" BSP	250	49,5	42,5	14	27	32
Z RHZL 18 R 1/2	18	L	M 1/2" BSP	160	55,5	48	14	36	36
Z RHZL 22 R 3/4	22	L	M 3/4" BSP	160	63,5	56	16	41	46
Z RHZL 28 R 1	28	L	M 1" BSP	100	71,5	64	18	50	55
Z RHZL 35 R 1 1/4	35	L	M 1"1/4 BSP	100	80,5	70	20	60	60
Z RHZL 42 R 1 1/2	42	L	M 1"1/2 BSP	100	81,5	70,5	22	65	70
Z RHZS 6 R 1/4	6	S	M 1/4" BSP	400	38,5	31,5	12	17	19
Z RHZS 8 R 1/4	8	S	M 1/4" BSP	400	38,5	31,5	12	17	19
Z RHZS 10 R 3/8	10	S	M 3/8" BSP	400	45,5	38	12	22	24
Z RHZS 12 R 3/8	12	S	M 3/8" BSP	400	48,5	41	12	24	27
Z RHZS 14 R 1/2	14	S	M 1/2" BSP	315	51,5	43,5	14	27	32
Z RHZS 16 R 1/2	16	S	M 1/2" BSP	315	54,5	46	14	32	36
Z RHZS 20 R 3/4	20	S	M 3/4" BSP	250	60,5	50	16	38	41
Z RHZS 25 R 1	25	S	M 1" BSP	250	66,5	54,5	18	46	50
Z RHZS 30 R 1 1/4	30	S	M 1"1/4 BSP	250	77,5	64	20	55	60
Z RHZS 38 R 1 1/2	38	S	M 1"1/2 BSP	250	87,5	71,5	22	65	70

Racores DIN 2353

Válvulas antirretorno

Válvula antirretorno tubo-tubo**FLUIDAL**

Acero Inoxidable AISI 316-L

1/1**Presión de apertura: 1 bar**

Artículo	ØD1	Serie	Presión de trabajo (bar)	L1	L2	HEX 1	HEX 2	HEX 3
Z RHDL 6	6	L	250	58	29	17	14	17
Z RHDL 8	8	L	250	59	30	19	17	19
Z RHDL 10	10	L	250	69,5	40,5	24	19	24
Z RHDL 12	12	L	250	72,5	43,5	30	22	30
Z RHDL 15	15	L	250	77,5	47,5	30	27	30
Z RHDL 18	18	L	160	83,5	51,5	36	32	36
Z RHDL 22	22	L	160	97	61,5	46	36	46
Z RHDL 28	28	L	100	106,5	69,5	50	41	50
Z RHDL 35	35	L	100	117,5	74,5	60	50	60
Z RHDL 42	42	L	100	119	74	60	60	60
Z RHDS 6	6	S	400	63,5	34,5	17	17	17
Z RHDS 8	8	S	400	63,5	34,5	19	19	19
Z RHDS 10	10	S	400	72,5	40,5	24	22	24
Z RHDS 12	12	S	400	74,5	42,5	30	24	30
Z RHDS 14	14	S	315	82,5	47,5	30	27	30
Z RHDS 16	16	S	315	86,5	50,5	30	30	30
Z RHDS 20	20	S	250	97,5	54,5	36	36	36
Z RHDS 25	25	S	250	106,5	58,5	46	46	46
Z RHDS 30	30	S	250	122,5	69,5	50	50	50
Z RHDS 38	38	S	250	136,5	75,5	60	60	60

Racores DIN 2353 sin tuerca y anillo

Racores regulables STA

Racor en T regulable con TLM (STA)

1/1

Artículo	ØD1	Serie	R1	L1	L2	HEX 1
Z STA TEL 6 TLM	6	L	M12X1.5	19	26	12
Z STA TEL 8 TLM	8	L	M14X1.5	21	27	12
Z STA TEL 10 TLM	10	L	M16X1.5	22	28.5	14
Z STA TEL 12 TLM	12	L	M18X1.5	24	29	17
Z STA TEL 15 TLM	15	L	M22X1.5	29	32	19
Z STA TEL 18 TLM	18	L	M26X1.5	41	35	24
Z STA TEL 22 TLM	22	L	M30X2	35	38	27
Z STA TEL 28 TLM	28	L	M36X2	38	41.5	36
Z STA TEL 35 TLM	35	L	M45X2	45	51	41
Z STA TEL 42 TLM	42	L	M52X2	49	56	50
Z STA TES 6 TLM	6	S	M14X1.5	21	27	12
Z STA TES 8 TLM	8	S	M16X1.5	22	27	14
Z STA TES 10 TLM	10	S	M18X1.5	24	29.5	17
Z STA TES 12 TLM	12	S	M20X1.5	29	30.5	17
Z STA TES 14 TLM	14	S	M22X1.5	31	34.5	19
Z STA TES 16 TLM	16	S	M24X1.5	33	36	24
Z STA TES 20 TLM	20	S	M30X2	37	44	27
Z STA TES 25 TLM	25	S	M36x2	42.5	49.5	36
Z STA TES 30 TLM	30	S	M42X2	49	55	41
Z STA TES 38 TLM	38	S	M52X2	57	63	50

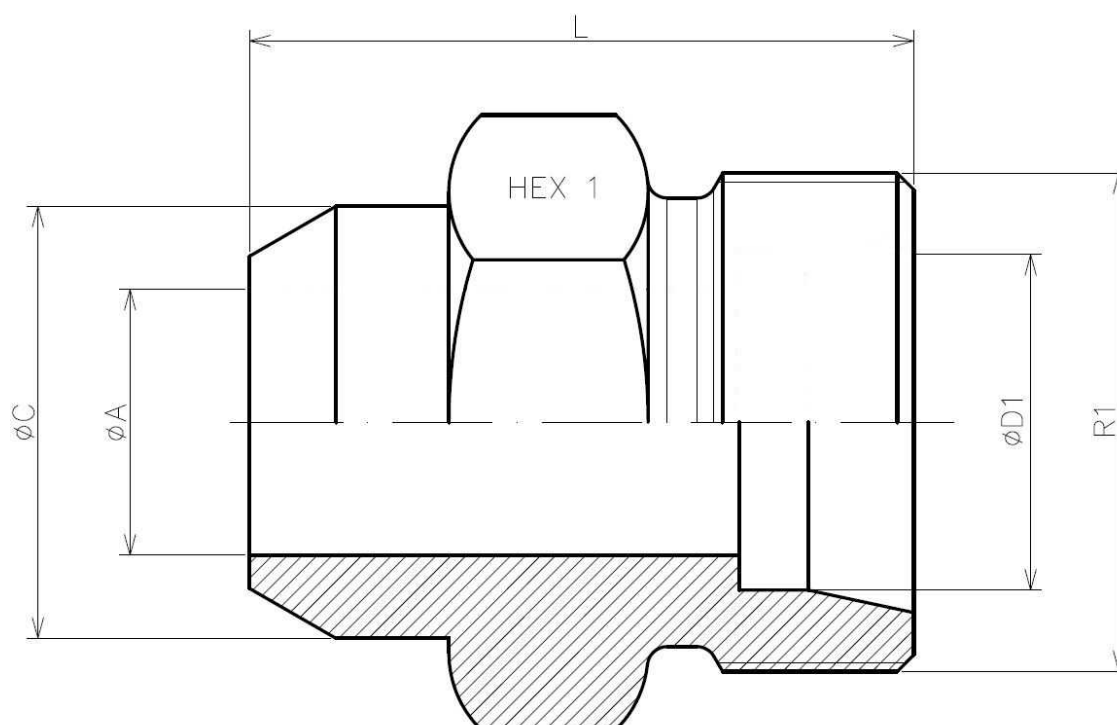
Racores DIN 2353 sin tuerca y anillo

Racores para soldar STA

Racor recto para soldar STA



1/1



Artículo	ØD1	Serie	R1	Presión de trabajo (bar)	L	HEX 1	ØA	ØC
Z STA ASL 15	15	L	M22x1,5	315	29	22	12	19
Z STA ASS 16	16	S	M24x1,5	400	35	27	7	15
Z STA ASS 20	20	S	M30x2	400	40	32	16	26
Z STA ASL 12	12	L	M18x1,5	315	25	19	10	16
Z STA ASL 6	6	L	M12x1,5	315		14	4	10
Z STA ASL 8	8	L	M14x1,5	315	23	14	6	12
Z STA ASL 10	10	L	M18x1,5	315	26	17	8	14
Z STA ASL 18	18	L	M26x1,5	315	31	27	15	22
Z STA ASL 22	22	L		160				
Z STA ASL 28	28	L	M36x2	160	38	41	24	32
Z STA ASL 35	35	L	M45x2	160	43	46	30	40
Z STA ASL 42	42	L	M52x2	160	46	55	36	46
Z STA ASS 6	6	S	M14x1,5	630		14	6	11
Z STA ASS 8	8	S	M16x1,5	630		17	8	13
Z STA ASS 10	10	S	M18x1,5	630	30	19	7	15
Z STA ASS 12	12	S	M20x1,5	630	32	22	8	17
Z STA ASS 25	25	S	M36x2	400	44	41	20	31
Z STA ASS 30	30	S	M42x2	250	49	46	25	36
Z STA ASS 38	38	S	M52x2	315				